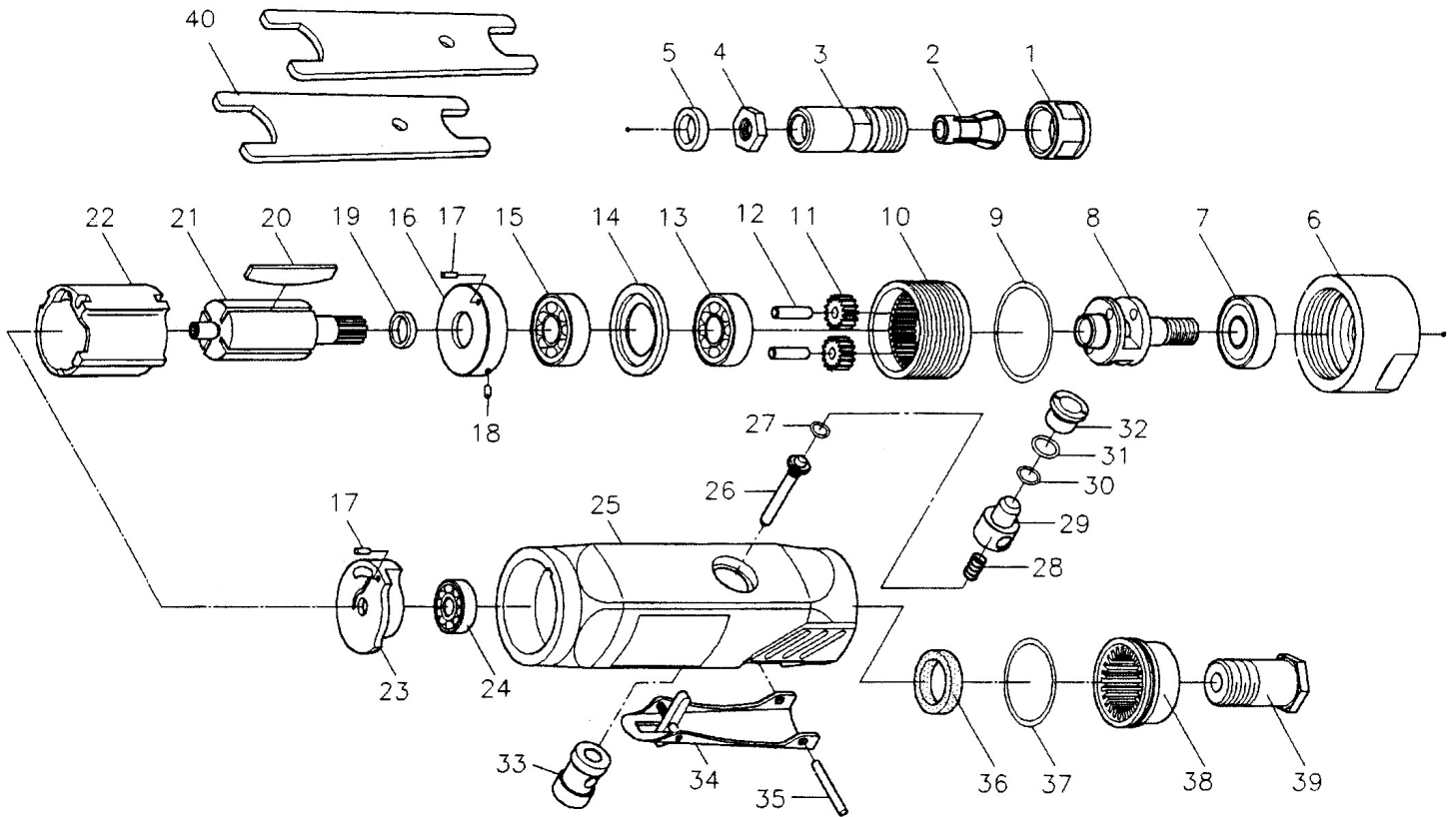




GISON Pneumatic Tools

GP-824F1 Air Die Grinder



PARTS LIST

✳ : Consuming Part

Item No.	Part No.	Description	Qty.	Item No.	Part No.	Description	Qty.
1	824F101	Collect Nut	1	22	824F122	Cylinder	1
2	824F102	Collect	1	23	824F123	Rear End Plate	1
3	824F103	Spindle	1	24	824F124	Ball Bearing	1
4	824F104	Nut	1	25	824F125	Motor Housing	1
5	824F105	Spacer	1	26	824F126	Valve Stem	1
6	824F106	Housing Cover	1	27	824F127	O-Ring	1
7	824F107	Ball Bearing	1	28	824F128	Spring	1
8	824F108	Cage	1	29	824F129	Regulator	1
9	824F109	O-Ring	1	30	824F130	O-Ring	1
10	824F110	Idler Gear Housing	1	31	824F131	O-Ring	1
11	824F111	Idler Gear	2	32	824F132	Valve Plug	1
12	824F112	Pin	2	33	824F133	Bushing	1
13	824F113	Ball Bearing	1	34	824F134	Throttle Lever	1
14	824F114	Spacer	1	35	824F135	Spring Pin	1
15	824F115	Ball Bearing	1	36	824F136	Muffler	1
16	824F116	Front End Plate	1	37	824F137	O-Ring	1
17	824F117	Spring Pin	2	38	824F138	House Adapter	1
18	824F118	Spring Pin	1	39	824F139	Air Inlet (1/4"PF)	1
19	824F119	Spacer	1			Air Inlet (1/4"PT)	
20	824F120	Rotor Blade	4			Air Inlet (1/4"NPT)	
21	824F121	Rotor	1	40	824F140	Double Ended Wrench	2