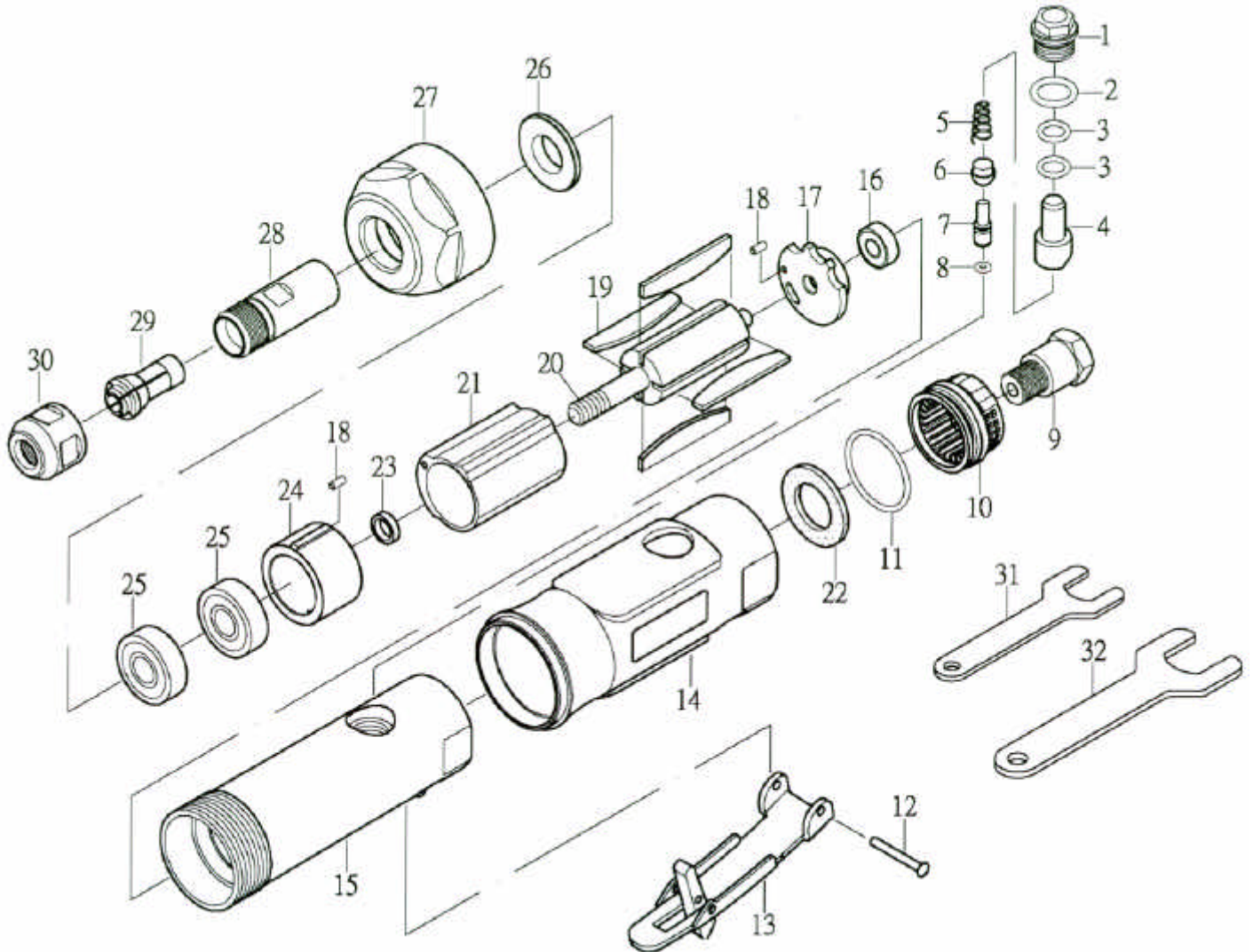




GISON Pneumatic Tools

GP-824ST1 Mini Air Die Grinder



PARTS LIST

✳ : Consuming Part

Item No.	Part No.	Description	Qty.	Item No.	Part No.	Description	Qty.
1	824ST101	Screw	1	17	824ST117	Rear Plate	1
2	824ST102	O-Ring (P12)	1	18	824ST118	Pin	2
3	824ST103	O-Ring (P8)	2	19	824ST119	Rotor Blade	4
4	824ST104	Air Regulator	1	20	824ST120	Rotor	1
5	824ST105	Spring	1	21	824ST121	Cylinder	1
6	824ST106	Valve Stem Bushing	1	22	824ST122	Cone Muffler	1
7	824ST107	Valve Stem	1	23	824ST123	Bearing Spacer	1
8	824ST108	O-Ring (3.5*1.4)	1	24	824ST124	Front Plate	1
9	824ST109	Air Inlet	1	25	824ST125	Bearing (608ZZ)	2
10	824ST110	Exhaust Sleeve	1	26	824ST126	Washer	1
11	824ST111	O-Ring	1	27	824ST127	Clamp Nut	1
12	824ST112	Spring Pin	1	28	824ST128	Spindle	1
13	824ST113	Lever	1	29	824ST129	Collet	1
14	824ST114	Protecting Rubber	1	30	824ST130	Collet Nut	1
15	824ST115	Housing	1	31	824ST131	Stop Spanner (14mm)	1
16	824ST116	Bearing (696ZZ)	1	32	824ST132	Stop Spanner (19mm)	1