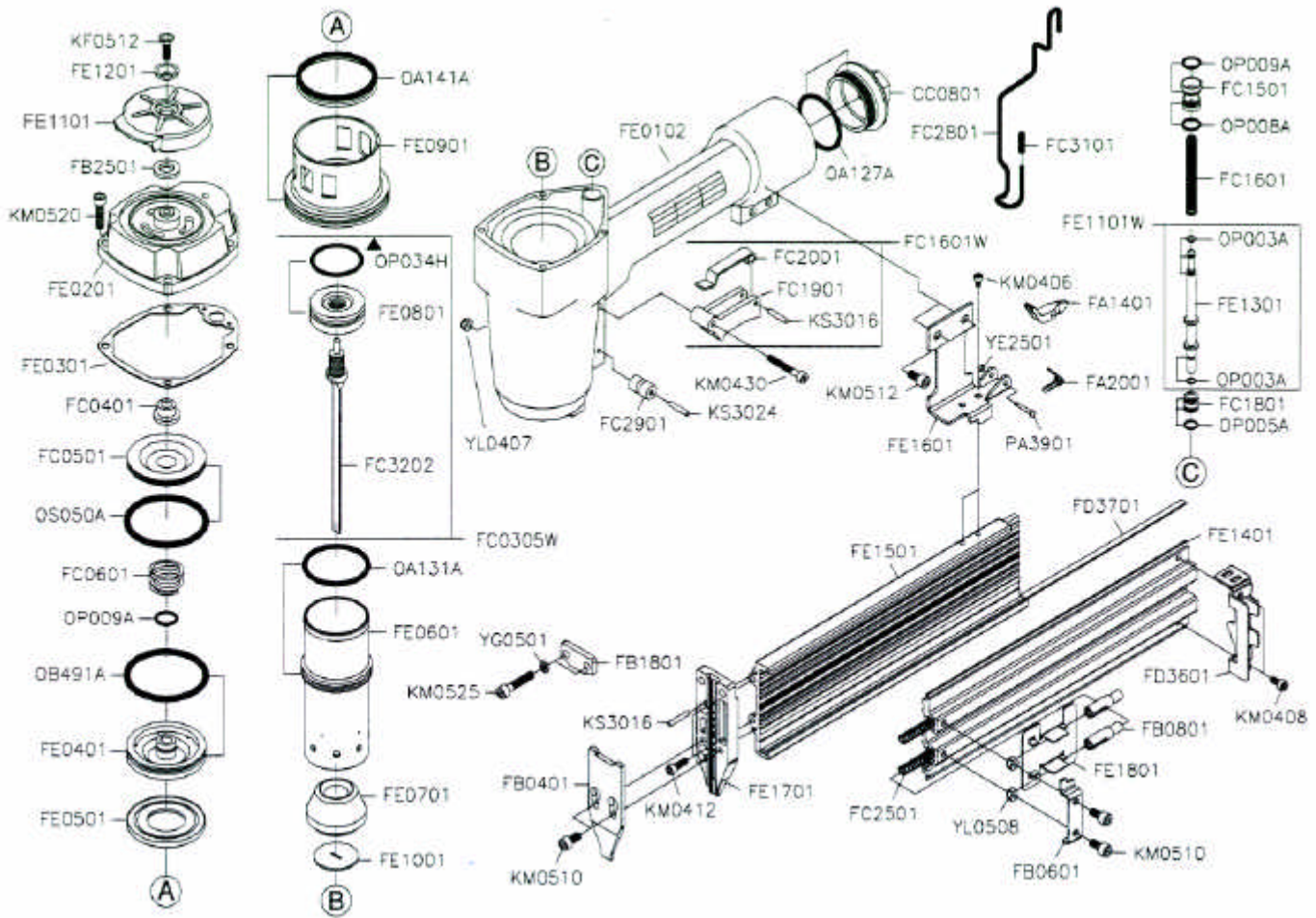




# GISON Pneumatic Tools

## GP-F16/64 Medium Wire Finish Air Nailer



### PARTS LIST

✳ : Consuming Part

Item No.	Part No.	Description	Qty.	Item No.	Part No.	Description	Qty.	Item No.	Part No.	Description	Qty.
1	CC0801	End Cap	1	25	FD3701	Bar	1	49	KM0430	Hex.Soc.Hd.Bolt M4x0.7-30L	1
2	FA1401	Latch	1	26	FE0102	Body	1	50	KM0510	Hex.Soc.Hd.Bolt M5x0.8-10L	4
3	FA2001	Spring	1	27	FE0201	Cylinder Cap	1	51	KM0512	Hex.Soc.Hd.Bolt M5x0.8-12L	2
4	FB0401	Cover Plate(B)	1	28	FE0301	Cap Seal	1	52	KM0520	Hex.Soc.Hd.Bolt M5x0.8-20L	4
5	FB0601	Magazine Retainer	1	29	FE0401	Head valve Seat	1	53	KM0525	Hex.Soc.Hd.Bolt M5x0.8-25L	2
6	FB0801	Pusher Pin	2	30	FE0501	Gasket	1	54	KS3016	Spring Pin ø3-16L	3
7	FB1801	Cover Plate(A)	1	31	FE0601	Cylinder	1	55	KS3024	Spring Pin ø3-24L	1
8	FB2501	Piston Stop	1	32	FE0701	Bumper	1	56	OA127A	O-Ring ARP568-127	1
9	FC0305W	Driver Assy.	1	33	FE0801	Main Piston	1	57	OA131A	O-Ring ARP568-131	1
10	FC0401	Piston Stop	1	34	FE0901	Collar	1	58	OA141A	O-Ring ARP568-141	1
11	FC0501	Head Valve Cap	1	35	FE1001	Nozzle	1	59	OB491A	O-Ring 49.1X2.5	1
12	FC0601	Compression Spring	1	36	FE1101	Exhaust Cap	1	60	OP003A	O-Ring P3	3
13	FC1501	Trigger Valve Cap	1	37	FE1101W	Trigger Valve Assy.	1	61	OP005A	O-Ring P5	2
14	FC1601	Compression Spring	1	38	FE1201	Exhaust Cap Ring	1	62	OP008A	O-Ring P8	1
15	FC1601W	Trigger Assy.	1	39	FE1301	Trigger Valve Stem	1	63	OP009A	O-Ring P9	2
16	FC1801	Trigger Valve Seat	1	40	FE1401	Magazine Cap	1	64	✳ OP034H	O-Ring 33.7X3.5	1
17	FC1901	Trigger	1	41	FE1501	Magazine Seat	1	65	OS050A	O-Ring S-50	1
18	FC2001	Contact Lever	1	42	FE1601	Support	1	66	PA3901	Pin	1
19	FC2501	Pusher Spring	2	43	FE1701	Guide Plate	1	67	YE2501	E-Ring ø2.5	1
20	FC2801	Pusher Safety	1	44	FE1801	Pusher	1	68	YG0501	Spring Washer ø5	2
21	FC2901	Roller	1	45	KF0512	Flat Hd.Bolt M5x0.8-12L	1	69	YL0407	Lock Nut M4x0.7	1
22	FC3101	Compression Spring	1	46	KM0406	Hex.Soc.Hd.Bolt M4x0.7-6L	2	70	YL0508	Lock Nut M5x0.8	2
23	FC3202	Driver	1	47	KM0408	Hex.Soc.Hd.Bolt M4x0.7-8L	2				
24	FD3601	Stop Plate	1	48	KM0412	Hex.Soc.Hd.Bolt M4x0.7-12L	2				