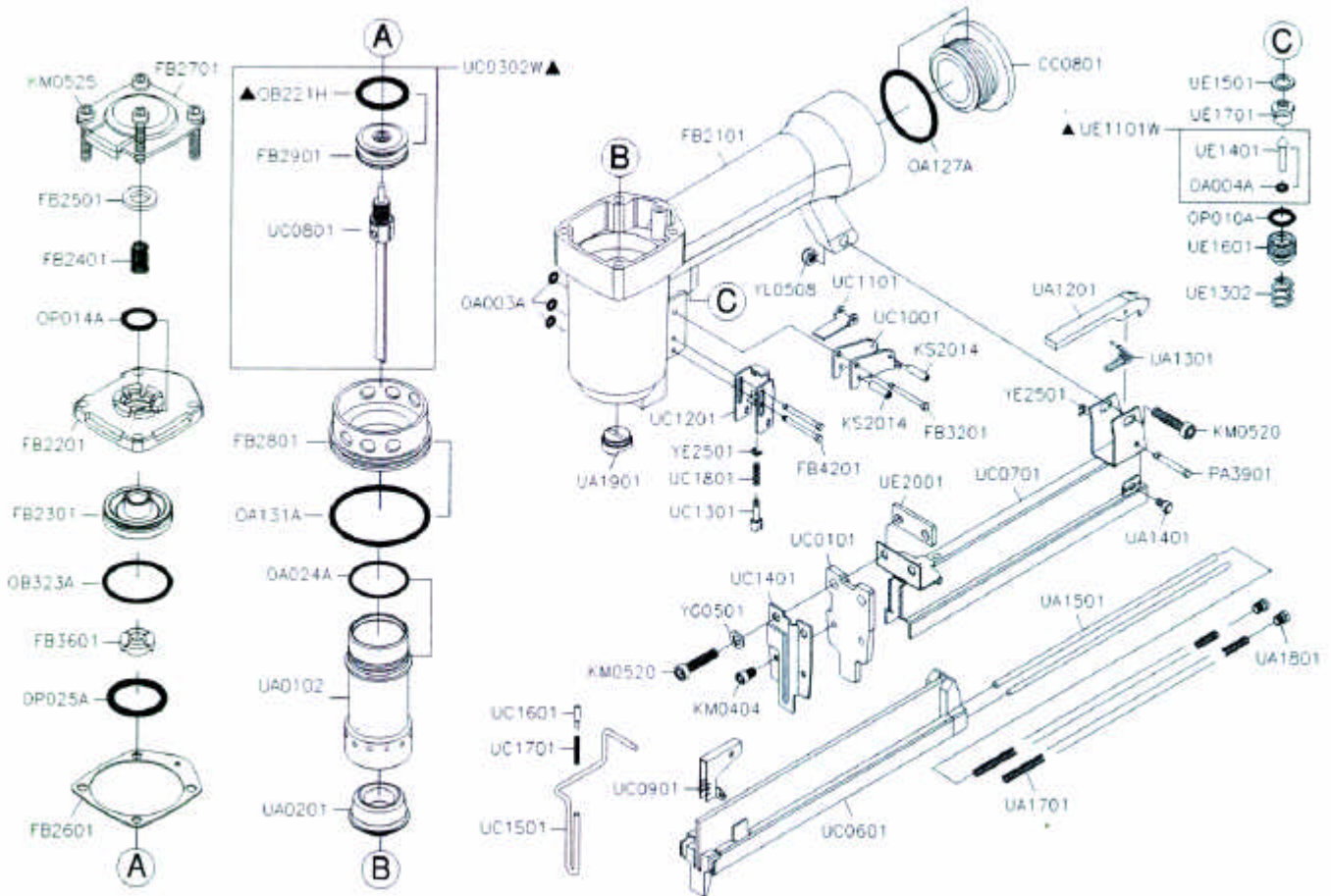




# GISON Pneumatic Tools

## GP-90/25 Medium Wire Air Stapler



### PARTS LIST

✳ : Consuming Part

Item No.	Part No.	Description	Qty.	Item No.	Part No.	Description	Qty.	Item No.	Part No.	Description	Qty.
1	CC0801	End Cap	1	22	OA131A	O-Ring ARP568-131	1	43	UC0901	Pusher	1
2	FB2101	Body	1	23	✳ OB221H	O-Ring 22x3	1	44	UC1001	Trigger	1
3	FB2201	Cylinder Cap	1	24	OB323A	O-Ring 31.8x2.4	1	45	UC1101	Contact Lever	1
4	FB2301	Head Valve Piston	1	25	OP010A	O-Ring P10	1	46	UC1201	Safety Set	1
5	FB2401	Compression Spring	1	26	OP014A	O-Ring P14	1	47	UC1301	Shaft	1
6	FB2501	Seal	1	27	OP025A	O-Ring P25	1	48	UC1401	Safety Guide	1
7	FB2601	Cap Seal	1	28	PA3901	Latch Spring	1	49	UC1501	Safety	1
8	FB2701	Exhaust Cap	1	29	UA0102	Cylinder	1	50	UC1601	Spring Shaft	1
9	FB2801	Cylinder Ring	1	30	UA0201	Bumper	1	51	UC1701	Spring	1
10	FB2901	Main Piston	1	31	UA1201	Latch	1	52	UC1801	Spring	1
11	FB3201	Trigger Pin	1	32	UA1301	Latch Spring	1	53	✳ UE1101W	Trigger Valve Assy.	1
12	FB3601	Piston Stop	1	33	UA1401	Retainer Screw	2	54	UE1302	Compression Spring	1
13	FB4201	Roller Pin	1	34	UA1501	Guide Stem	2	55	UE1401	Trigger Valve Stem	1
14	KM0404	Hex.Soc.Hd.Bolt M4x0.7-4L	2	35	UA1701	Pusher Spring	2	56	UE1501	Seal	1
15	KM0520	Hex.Soc.Hd.Bolt M5x0.8-20L	3	36	UA1801	Hex.Soc.Set Screw	2	57	UE1601	Trigger Valve Guide	1
16	KM0525	Hex.Soc.Hd.Bolt M5x0.8-25L	4	37	UA1901	Nozzle	1	58	UE1701	Trigger Valve Seat	1
17	KS2014	Spring Pin $\phi$ 2 - 14L	2	38	UC0101	Cover Plate	1	59	UE2001	E-Ring	1
18	OA003A	O-Ring ARP568-003	3	39	✳ UC0302W	Driver Assy.	1	60	YE2501	E-Ring $\phi$ 2.5	2
19	OA004A	O-Ring ARP568-004	1	40	UC0601	Magazine Assy	1	61	YG0501	Spring Washer $\phi$ 5	2
20	OA024A	O-Ring ARP568-024	1	41	UC0701	Magazine Cap	1	62	YL0508	Lock Nut M5x0.8	1
21	OA127A	O-Ring ARP568-127	1	42	UC0801	Driver Assy.	1				

If you need to order parts, please mark both **Part No.** and **Description.**