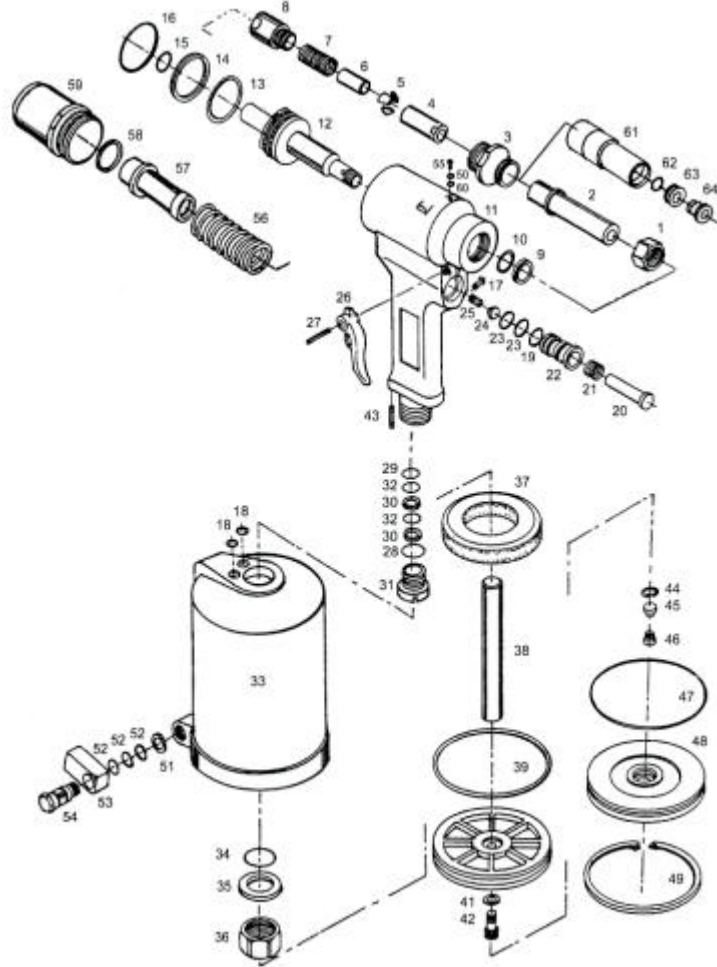


吉生 GISON

GP-820E Heavy Duty Air Hydraulic Riveter



PARTS LIST

✳ :Consuming Part

No.	Part No.	Description	Qty.	No.	Part No.	Description	Qty.
1	820E01	Retaining Nut	1	31	820E31	Hydraulic Plug	1
2	820E02	Swaging Anvil	1	32	820E32	O-Ring Seal	2
3	820E03	Collect	1	33	820E33	Air Cylinder	1
4	820E04	Collect	1	34	820E34	O-Ring	1
5	820E05	Jaws	3	35	820E35	Washer	1
6	820E06	Follower	1	36	820E36	Lock Nut	1
7	820E07	Spring	1	37	820E37	Damping Ring	1
8	820E08	Collect Coupler	1	38	820E38	Piston Rod	1
9	820E09	Back Up Ring Seal	2	39	820E39	O-Ring Seal	1
10	820E10	O-Ring Seal	2	40	820E40	Piston Disc	1
11	820E11	Hydraulic Section	1	41	820E41	Washer	1
12	820E12	Hydraulic Piston	1	42	820E42	Screw	1
13	820E13	O-Ring Seal	2	43	820E43	Pin	1
14	820E14	Back Up Ring Seal	2	44	820E44	Retainer Ring	1
15	820E15	O-Ring Seal	1	45	820E45	Rubber Plate	1
16	820E16	O-Ring Seal	1	46	820E46	Spring	1
17	820E17	Screw Plug	1	47	820E47	O-Ring Seal	1
18	820E18	O-Ring Seal	2	48	820E48	Cylinder Base	1
19	820E19	O-Ring Seal	1	49	820E49	Retainer Ring	1
20	820E20	Valve Tube	1	50	820E50	Washer	1
21	820E21	O-Ring Seal	1	51	820E51	Washer	1
22	820E22	Valve Seal	1	52	820E52	O-Ring Seal	3
23	820E23	O-Ring Seal	2	53	820E53	Air Inlet Fitting	1
24	820E24	Valve Plate	1	54	820E54	Air Inlet Plug	1
25	820E25	Spring	1	55	820E55	Screw	1
26	820E26	Trigger	1	56	820E56	Spring	1
27	820E27	Roll Pin	1	57	820E57	Guide Tube	1
28	820E28	O-Ring Seal	1	58	820E58	O-Ring Seal	1
29	820E29	O-Ring Seal	1	59	820E59	Rear Gland	1
30	820E30	Back Up Ring Seal	2	60	820E60	O-Ring Seal	1