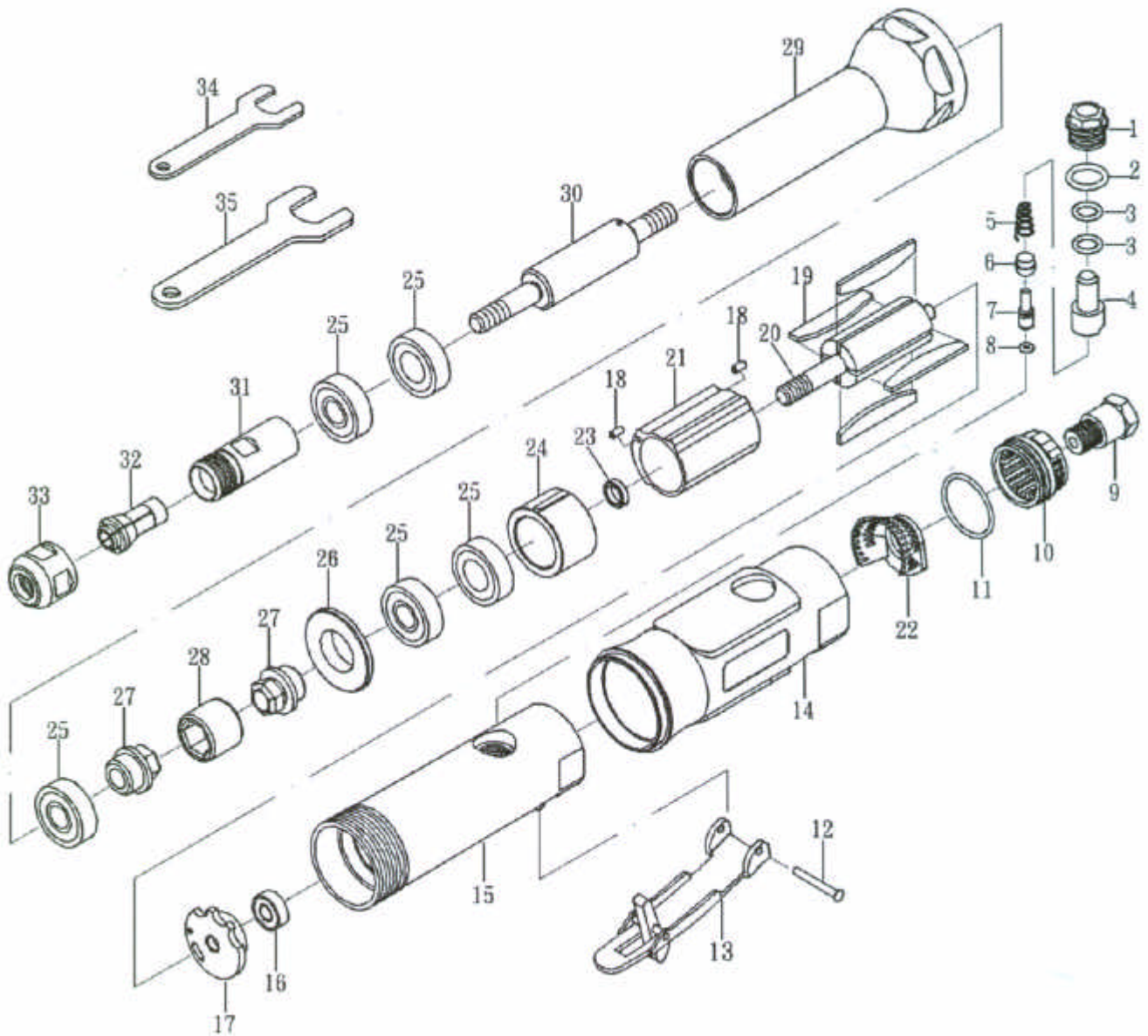




GISON Pneumatic Tools

GP-824STE Air Extension Die Grinder



PARTS LIST

★ :Consuming Part

Item No.	Part No.	Description	Qty.	Item No.	Part No.	Description	Qty.
1	824STE01	Screw	1	19	824STE19	Rotor Blade	4
2	824STE02	O-Ring (P12)	1	20	824STE20	Rotor	1
3	824STE03	O-Ring (P8)	2	21	824STE21	Cylinder	1
4	824STE04	Air Regulator	1	22	824STE22	Cone Muffler	1
5	824STE05	Spring	1	23	824STE23	Bearing Spacer	1
6	824STE06	Valve Stem Bushing	1	24	824STE24	Front Plate	1
7	824STE07	Valve Stem	1	25	824STE25	Bearing (608ZZ)	5
8	824STE08	O-Ring (3.5 x 1.4)	1	26	824STE26	Washer	1
9	824STE09	Air Inlet	1	27	824STE27	Coupling Nut	2
10	824STE10	Exhaust Sleeve	1	28	824STE28	Coupling	1
11	824STE11	O-Ring (26.7 x 1.78)	1	29	824STE29	Spindle Housing	1
12	824STE12	Spring Pin	1	30	824STE30	Spindle (shaft)	1
13	824STE13	Lever	1	31	824STE31	Spindle	1
14	824STE14	Protecting Rubber	1	32	824STE32	Collet	1
15	824STE15	Housing	1	33	824STE33	Collet Nut	1
16	824STE16	Bearing (696ZZ)	1	34	824STE34	Stop Spanner (14mm)	1
17	824STE17	Rear Plate	1	35	824STE35	Stop Spanner (19mm)	1
18	824STE18	Pin	2				