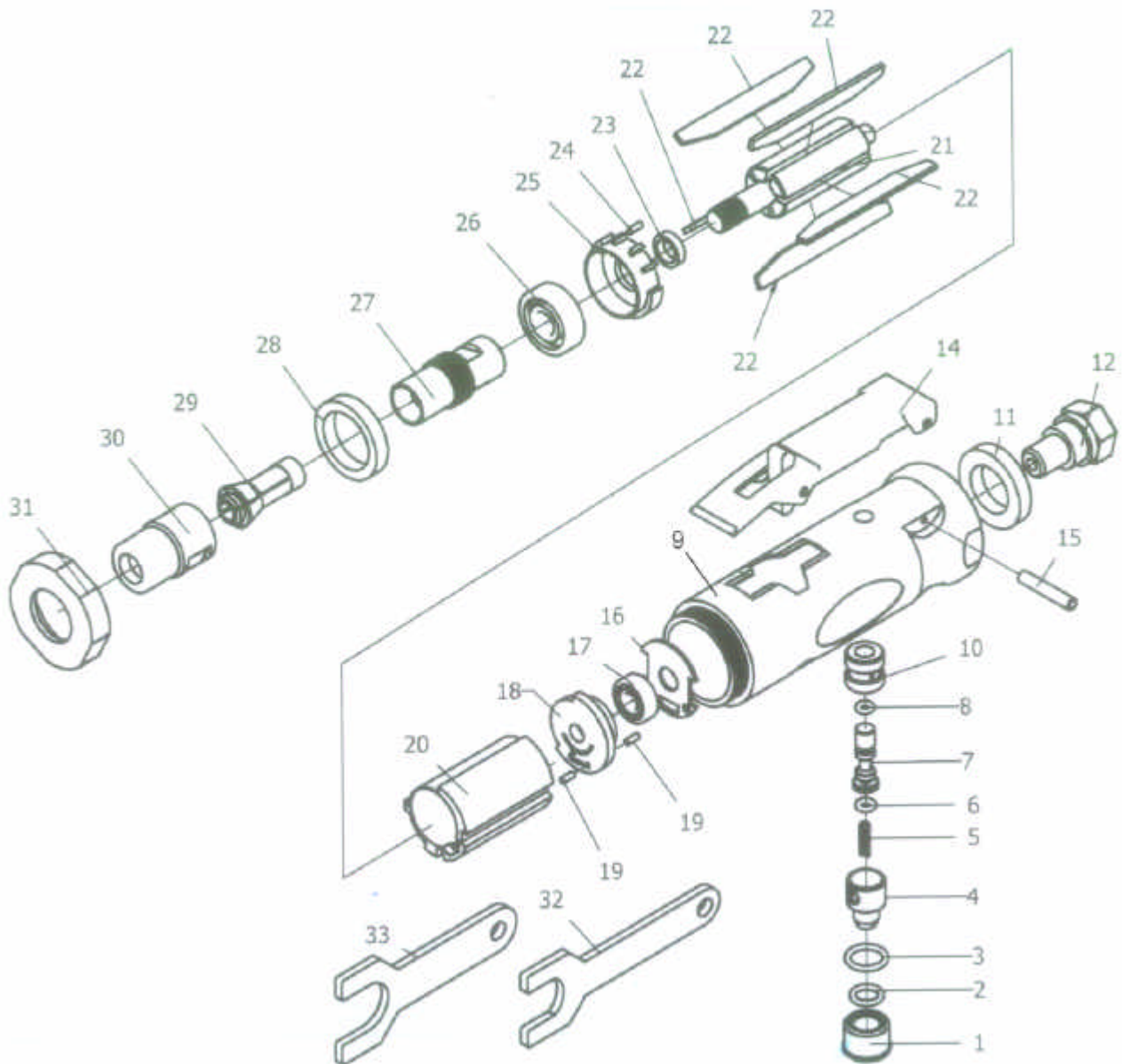




GISON Pneumatic Tools

GP-824LG Air Die Grinder



PARTS LIST

✳ : Consuming Part

Item No.	Part No.	Description	Qty.	Item No.	Part No.	Description	Qty.
1	824LG01	Plug Screw	1	18	824LG18	Bearing Plate	1
2	824LG02	O-Ring	1	19	824LG19	Locating Pin	2
3	824LG03	O-Ring	1	20	824LG20	Cylinder	1
4	824LG04	Air Regulator	1	21	824LG21	Rotor	1
5	824LG05	Valve Spring	1	22	824LG22	Rotor Blade	5
6	824LG06	O-Ring	1	23	824LG23	Rotor Collar	1
7	824LG07	Valve Stem	1	24	824LG24	Pin	1
8	824LG08	O-Ring	1	25	824LG25	Bearing Plate	1
9	824LG09	Motor Housing	1	26	824LG26	Bearing	1
10	824LG10	Valve Bushing	1	27	824LG27	Spindle	1
11	824LG11	Muffler	1	28	824LG28	Lock Pin	1
12	824LG12	Air Inlet	1	29	824LG29	Collet	1
14	824LG14	Lever	1	30	824LG30	Collet Nut	1
15	824LG15	Lever Pin	1	31	824LG31	Housing Cap	1
16	824LG16	Pad	1	32	824LG32	Wrench 14	1
17	824LG17	Bearing	1	33	824LG33	Wrench 19	1