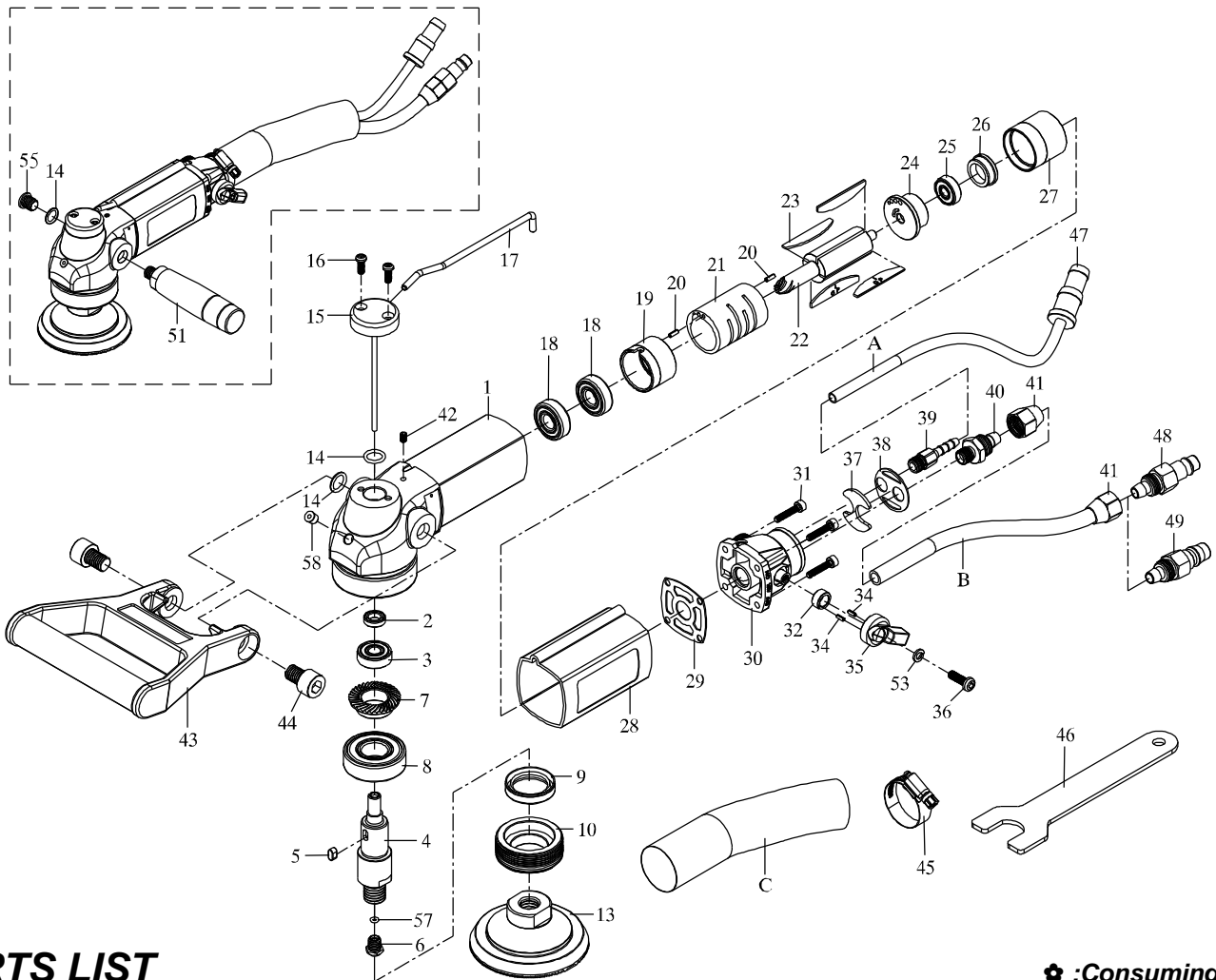




GISON Pneumatic Tools

GPW-218 Wet Air Sander/Polisher (5000rpm)



PARTS LIST

⚙️ : Consuming Part

Item No.	Part No.	Description	Qty.	Item No.	Part No.	Description	Qty.
1	218001	Body	1	30	218g01	Exhaust Plate Set Assy.	1
⚙️ 2	SG009	Oil Seal	1	31	CAP020	Cap Screw	4
⚙️ 3	B608LLU	Bearing	1	32	218016	Bushing	1
4	7W027D	Main Shaft (5/8")	1	34	SP033	Spring Pin	2
	7W027E	Main Shaft (M14)		35	7W016	Shifting Knob	1
5	KC003	Locking Key	1	36	MC008	Locking Screw	1
6	829055W	Water Exit	1	37	218010	Muffler Gasket	1
⚙️ 7	7W029	Spiral Gear	1	38	218009	Fixed Plate	1
⚙️ 8	B6203LLU	Bearing	1	39	218011	Water Valve	1
⚙️ 9	SG011-1	Oil Seal	1	40	7W042	Air Inlet Nozzle	1
10	218006	Locking Screw Cap	1	41	7W043	Hose Adaptor	2
⚙️ 13	7W037	Sanding Pad	1	42	MS010	Set Screw	1
14	OR006	O-Ring	2	43	218005	C Handle	1
15	7W023A	Water Inlet Transfer Post w/brass tube	1	44	CAP027	Screw	2
16	MC007	Screw	2	45	218022	Retainer Ring	1
17	218003	Water Inlet Tube	1	46	829048	Stop Spanner	1
18	B6000LLU	Bearing	2	47	7W019-1	Water Valve	1
19	7W004	Cylinder Cap	1	48	218019	1/4" Plug, Orion Type	1
⚙️ 20	SP014	Spring Pin	2	49	218020	1/4" Plug, Nitto Type	1
21	7W005	Cylinder	1	51	7W038	Side Handle	1
22	7W006	Rotor	1	53	SPW5	Spring Washer	1
⚙️ 23	7W007	Blade	4	55	7W040	Cap Screw	1
⚙️ 24	7W008	Rear Cylinder Cap	1	57	OR052	O-Ring	1
⚙️ 25	B626LLU	Bearing	1	58	218038	Grease Hole	1
26	7W010	Dust-Proof Plug	1	A	218021	Water Hose	1
27	218017	Cylinder Bushing	1	B	218023	Air Inlet Tube	1
28	218004	Rubber Sleeve	1	C	218024	Air Exhaust Tube	1
29	218018	Gasket	1				