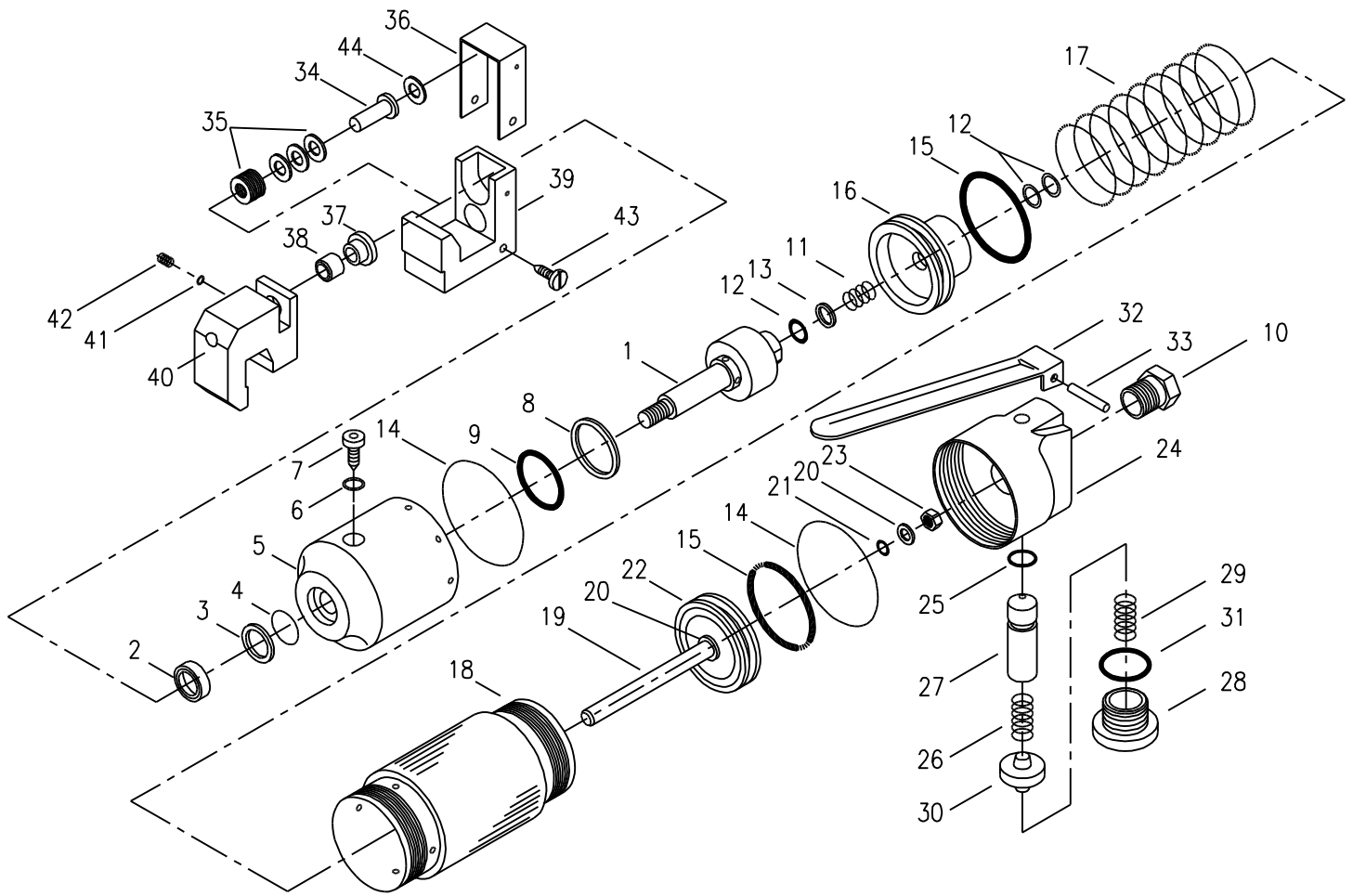




GISON Pneumatic Tools

GP-842 Air Punch/flange Tool



PARTS LIST

✳ : Consuming Part

Item No.	Part No.	Description	Qty.	Item No.	Part No.	Description	Qty.
1	84201	Piston	1	23	84223	Lock Nut	1
2	84202	Packing	1	24	84224	Air Valve Body	1
3	84203	Back-up Ring	1	25	84225	O-Ring	1
4	84204	O-Ring	1	26	84226	Spring	1
5	84205	Cylinder	1	27	84227	Air Valve	1
6	84206	O-Ring	1	28	84228	Plug	1
7	84207	Oil Plug	1	29	84229	Spring	1
8	84208	Back-up Ring	1	30	84230	Valve Cover	1
9	84209	O-Ring	1	31	84231	O-Ring	1
10	84210	Air Inlet	1	32	84232	Trigger	1
11	84211	Spring	1	33	84233	Pin	1
12	84212	O-Ring	3	34	84234	Punch	1
13	84213	Back-up Ring	1	35	84235	Spring Washer	12
14	84214	O-Ring	2	36	84236	Cover	1
15	84215	O-Ring	2	37	84237	Guide Sleeve	1
16	84216	Piston	1	38	84238	Punching Die	1
17	84217	Spring	1	39	84239	Anvil Bed	1
18	84218	Cylinder	1	40	84240	Punching Die Bed	1
19	84219	Piston Rod	1	41	84241	Packing	1
20	84220	Washer	2	42	84242	Screw	1
21	84221	O-Ring	1	43	84243	Screw	2
22	84222	Piston	1	44	84244	Washer	1