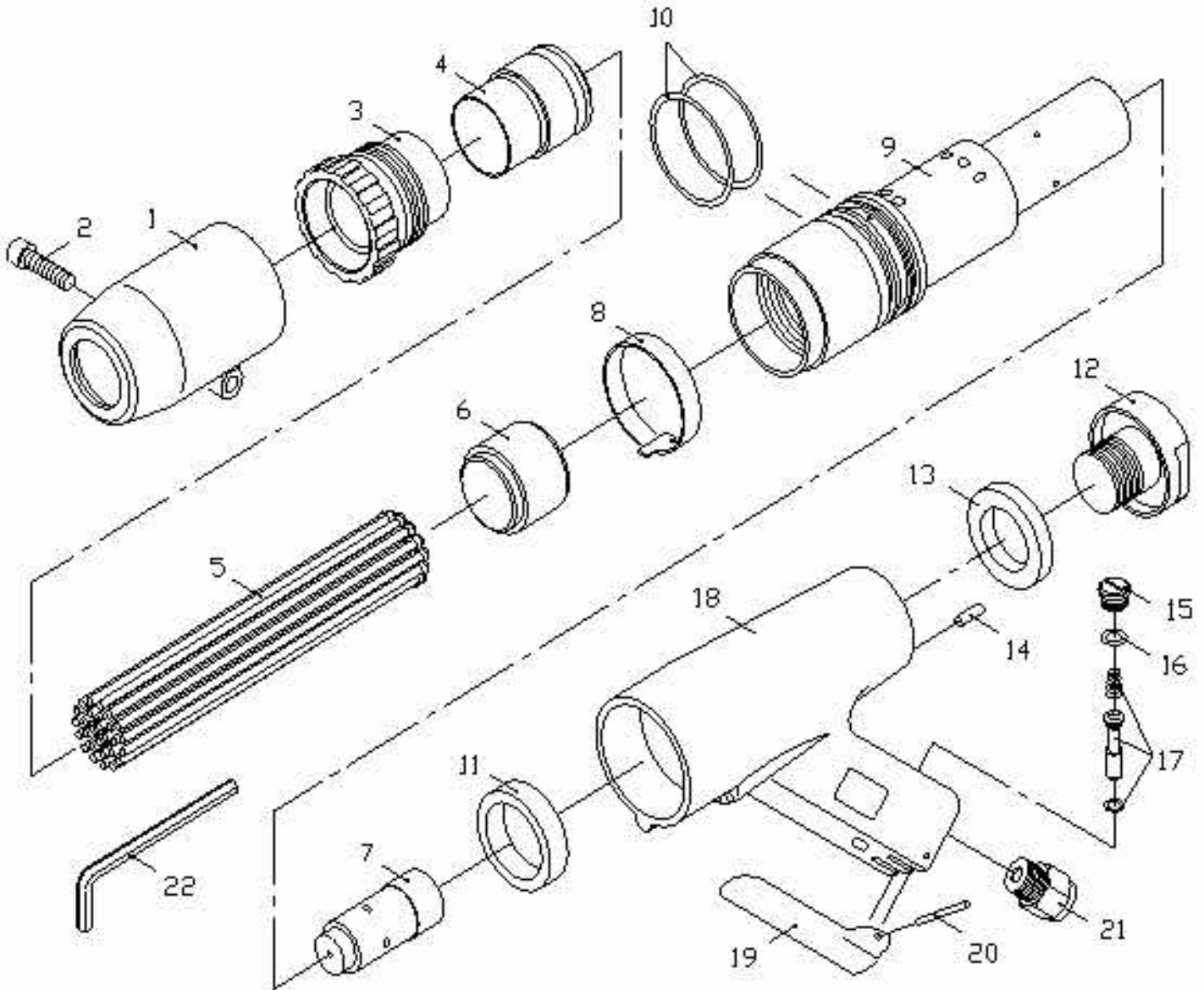




GISON Pneumatic Tools

GP-851P Air Needle Scaler



PARTS LIST

✳ : Consuming Part

Item No.	Part No.	Description	Qty.	Item No.	Part No.	Description	Qty.
1	851P01	Round Needle Guide Assy	1	10	851P10	"O"Ring (d50.39 x W3.53)	2
2	851P02	Hex Soc. Head Bolt	1	11	851P11	Front Pu Washer	1
3	851P03	Stop Ring	1	12	851P12	Rear Bolt Assy	1
4	851P04A	Needle Supporter (3 MM)	1	13	851P13	Rear Pu Washer	1
	851P04B	Needle Supporter (4 MM)		14	851P14	Cylinder Lock Pin	1
	851P04C	Needle Supporter (2 MM)		15	851P15	Valve Cap	1
✳ 5	851P05A	Needle (ø3 x 180MM)	28	16	851P16	"O"Ring (d7.6 x W2.62)	1
	851P05B	Needle (ø4 x 180MM)	14	✳ 17	851P17	Throttle Valve Assy	1 Set
	851P05C	Needle (ø2 x 180MM)	66	18	851P18	Housing	1
6	851P06	Throttle Anvil	1	19	851P19	Throttle Lever	1
7	851P07	Piston	1	20	851P20	Spring Pin (ø3 x 28L)	1
8	851P08	Safety Band	1	21	851P21	Reducer	1
9	851P09	Cylinder	1	22	851P22	Hex. Wrench (6 MM)	1