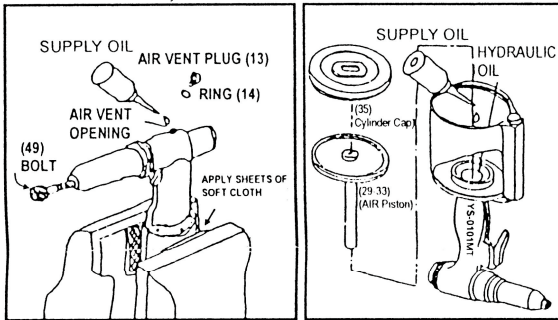




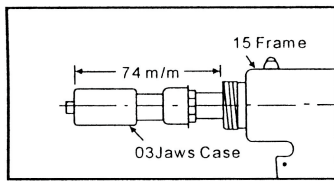
GISON Pneumatic Tools

GP-101MT Air Hydraulic Riveter

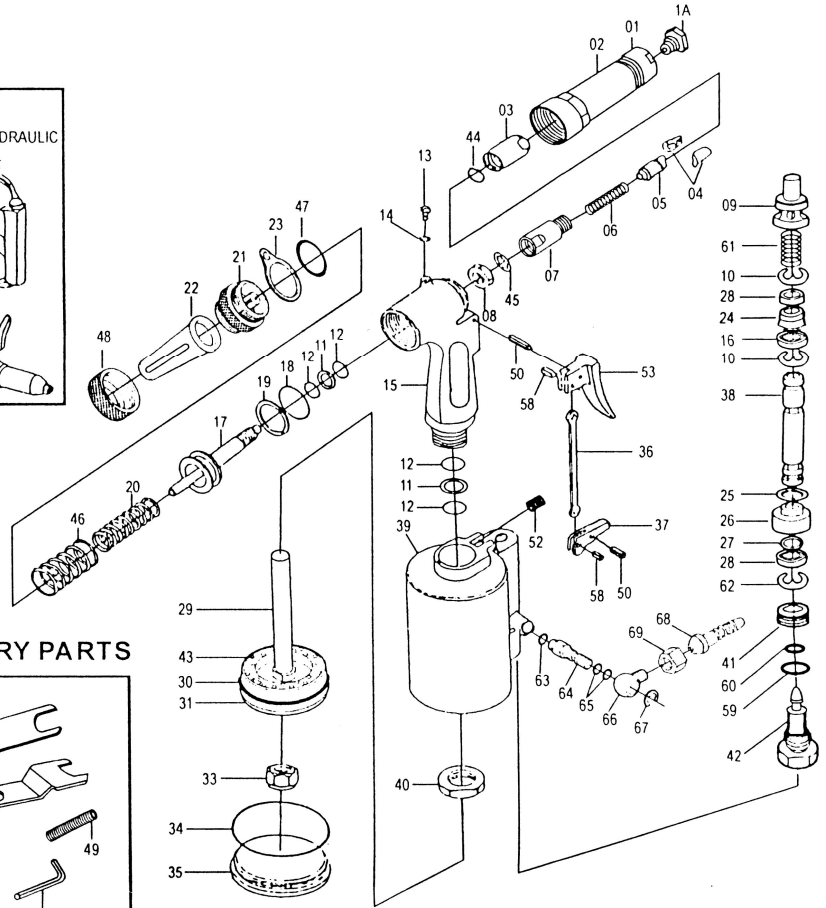
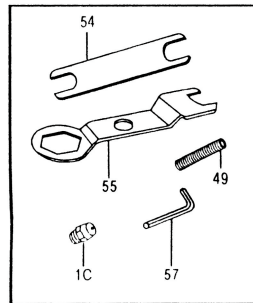
ADDING OIL METHOD (一) (二)



ADJUSTING LENGTH



AUXILIARY PARTS



PARTS LIST

✳ : Consuming Part

Item No.	Part No.	Description	Qty.	Item No.	Part No.	Description	Qty.
01	101MT01	Nosepiece Head	1	33	101MT33	Lock Nut	1
1A	101MT01A	Nosepiece 6.4 mm (1/4")	1	34	101MT34	O-Ring	1
1C	101MT01C	Nosepiece 4.8 mm (3/16")	1	35	101MT35	Cylinder Cap	1
02	101MT02	Frame Head	1	36	101MT36	Trigger Rod	1
03	101MT03	Jaw Case Head Part	1	37	101MT37	Trigger Level	1
04	101MT04	Jaw (12 mm)	2	38	101MT38	Valve Pusher Rod	1
05	101MT05	Jaw Pusher	1	39	101MT39	Air Cylinder	1
06	101MT06	Jaw Case Spring	2	40	101MT40	Frame Lock Nut	1
07	101MT07	Jaw Case Back Part	1	41	101MT41	Nipple Nut	1
08	101MT08	Case Lock Nut	1	42	101MT42	End Plug	1
09	101MT09	Valve Pusher	1	43	101MT43	Rubber Cushion	1
10	101MT10	E-Ring	2	44	101MT44	Jaw Case O-Ring	1
11	101MT11	Back Up Ring	2	45	101MT45	Washer Ring	1
12	101MT12	O-Ring	4	46	101MT46	Return Spring (Old)	1
13	101MT13	Air Vent Plug	1	47	101MT47	Frame Cap O-Ring	1
14	101MT14	Packing Seal	1	48	101MT48	Cap Nut	1
15	101MT15	Frame	1	49	101MT49	Bolt Plug	1
16	101MT16	Valve Ring Seal	1	50	101MT50	Spring Pin	1
17	101MT17	Oil Piston	1	51	101MT51	Level Pin	1
18	101MT18	O-Ring	1	52	101MT52	Screw Nut	1
19	101MT19	Back Up Ring	1	53	101MT53	Trigger	1
20	101MT20	Return Spring (Small)	1	54	101MT54	Spanner Gauge	1
21	101MT21	Frame Cap	1	55	101MT55	Spanner	1
22	101MT22	Dust Cap	1	57	101MT57	Hex. Wrench	1
23	101MT23	Hanging Clip	1	58	101MT58	Trigger Pin	2
24	101MT24	Air Valve Seal	1	59	101MT59	O-Ring	1
25	101MT25	O-Ring	1	60	101MT60	Seal	1
26	101MT26	Valve Sleeve	1	61	101MT61	Valve Spring	1
27	101MT27	O-Ring	1	62	101MT62	E-Ring	1
28	101MT28	Washer	1	63-67	101MT63	Universal Joint	1
29	101MT29	Air Piston Rod	1	68	101MT68	Air Hose Joint (5/16")	1
30	101MT30	O-Ring	1	69	101MT69	Air Hose Joint (1/4")	1
31	101MT31	Air Piston	1				