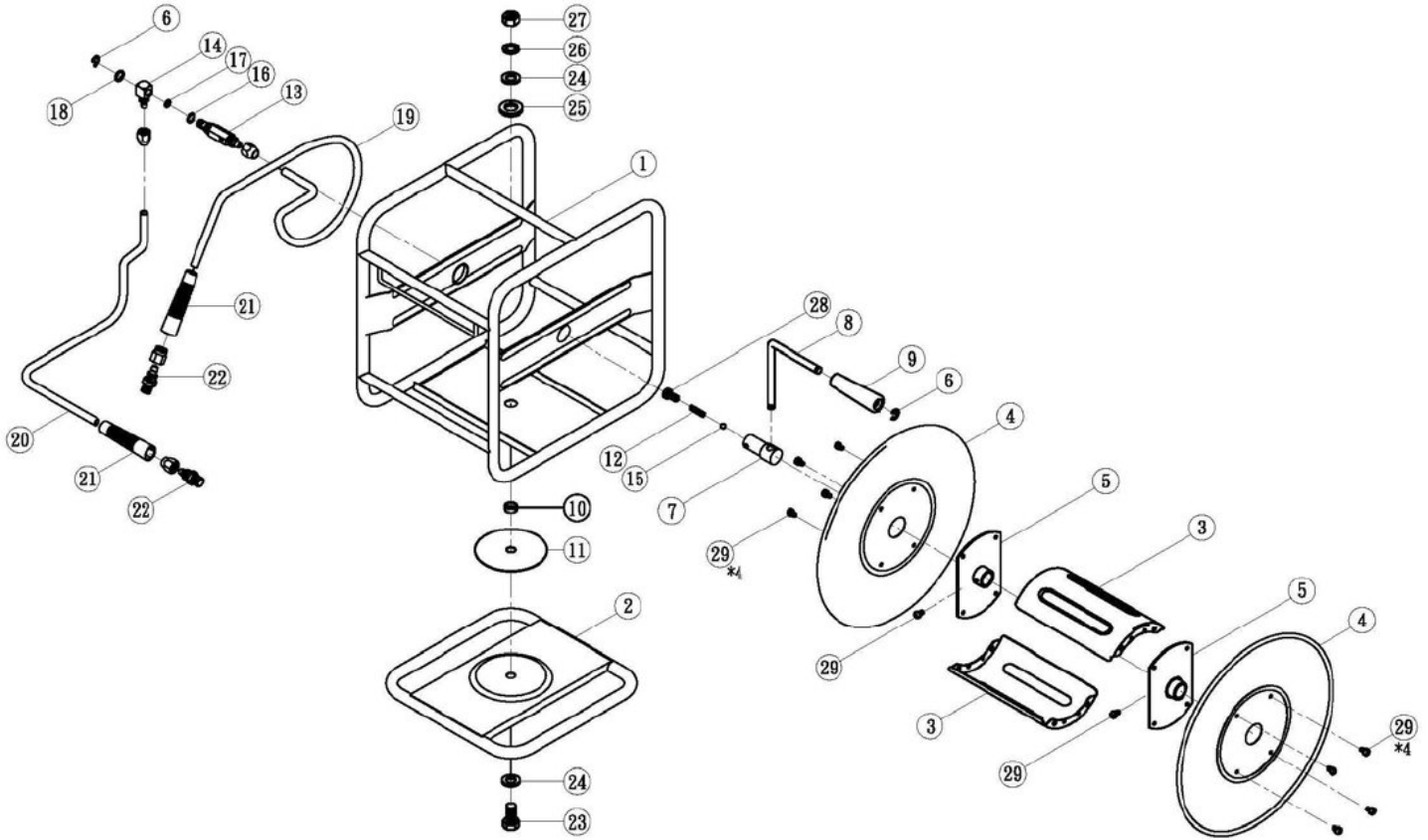




# GISON Pneumatic Tools

## GP-RB03C Air Hose Reel (30m)



### PARTS LIST

★ :Consuming Part

Item No.	Part No.	Description	Qty.	Item No.	Part No.	Description	Qty.
1	RB03C01	Frame	1	16	RB03C16	O Ring P-10	1
2	RB03C02	Base Plate	1	17	RB03C17	O Ring P-7	1
3	RB03C03	Roller Axle	2	18	RB03C18	Spacer	1
4	RB03C04	Disk	2	19	RB03C19	PU Braid Hose for Inlet	1
5	RB03C05	Fixing Plate	2	20	RB03C20	PU Braid Hose for Outlet	1
6	RB03C06	E-Shape Retaining Ring	1	21	RB03C21	Guard	2
7	RB03C07	Handle Holder	1	22	RB03C22	Swivel Fitting	2
8	RB03C08	L-Shape Handle	1	23	RB03C23	Screw M12*25L	1
9	RB03C09	Plast Handle	1	24	RB03C24	Spacer ID:1/2" *24	2
10	RB03C10	Steel Ring	1	25	RB03C25	Spacer ID:16*30	1
11	RB03C11	Plastic Plate	1	26	RB03C26	Spacer ID: 1/2"	1
12	RB03C12	Spring	1	27	RB03C27	Nut M12*19T	1
13	RB03C13	Fitting for Axle Center	1	28	RB03C28	Screw M8*16L	1
14	RB03C14	Fitting for Inlet	1	29	RB03C29	Screw w/ Spacer M5	9
15	RB03C15	Steel Ball D4	1	30	RB03C30	Screw w/ Spacer M5	1