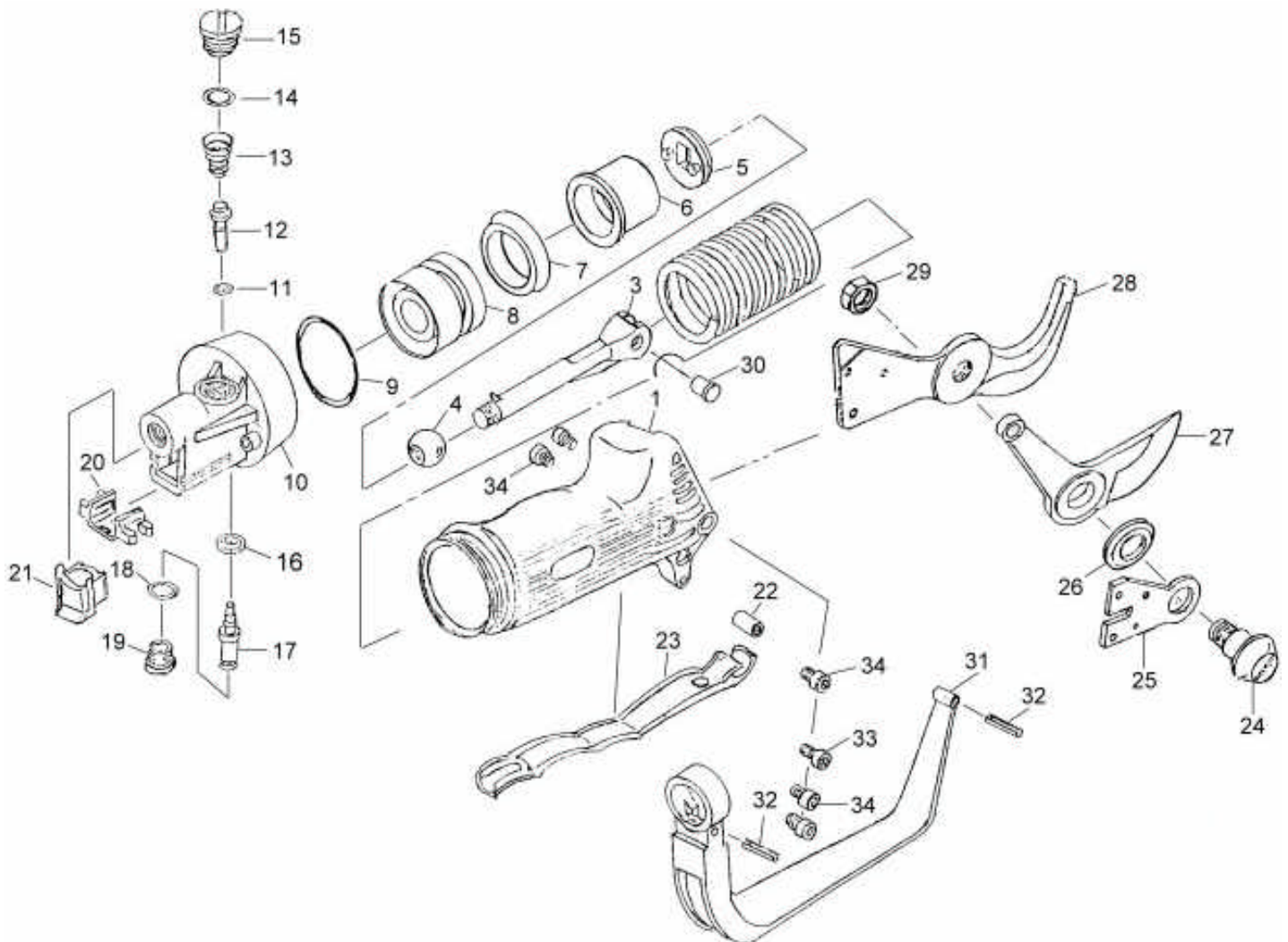




GISON Pneumatic Tools

GP-109 Air Bush Shear



PARTS LIST

✳ : Consuming Part

| Item No. | Part No. | Description | Qty. | Item No. | Part No. | Description | Qty. |
|----------|----------|----------------|------|----------|----------|---------------|------|
| 1 | 109001 | Housing | 1 | 18 | 109018 | O-Ring | 1 |
| 2 | 109002 | Spring | 1 | 19 | 109019 | Bushing | 1 |
| 3 | 109003 | Shaft | 1 | 20 | 109020 | Safety Slider | 1 |
| 4 | 109004 | Join Ter | 1 | 21 | 109021 | Muffler | 1 |
| 5 | 109005 | Bumper | 1 | 22 | 109022 | Trigger Pin | 1 |
| 6 | 109006 | Washer | 1 | 23 | 109023 | Trigger | 1 |
| 7 | 109007 | Piston Ring | 1 | 24 | 109024 | Bolt | 1 |
| 8 | 109008 | Piston | 1 | 25 | 109025 | Guide Plate | 1 |
| 9 | 109009 | O-Ring | 1 | 26 | 109026 | Washer | 1 |
| 10 | 109010 | End Cap | 1 | 27 | 109027 | Blade | 1 |
| 11 | 109011 | O-Ring | 1 | 28 | 109028 | Blade | 1 |
| 12 | 109012 | Front Push Rod | 1 | 29 | 109029 | Nut | 1 |
| 13 | 109013 | Valve Spring | 1 | 30 | 109030 | Pin | 1 |
| 14 | 109014 | O-Ring | 1 | 31 | 109031 | Handle Guard | 1 |
| 15 | 109015 | Valve Screw | 1 | 32 | 109032 | Pin | 2 |
| 16 | 109016 | O-Ring | 1 | 33 | 109033 | Screw | 1 |
| 17 | 109017 | Valve Stem | 1 | 34 | 109034 | Screw | 5 |