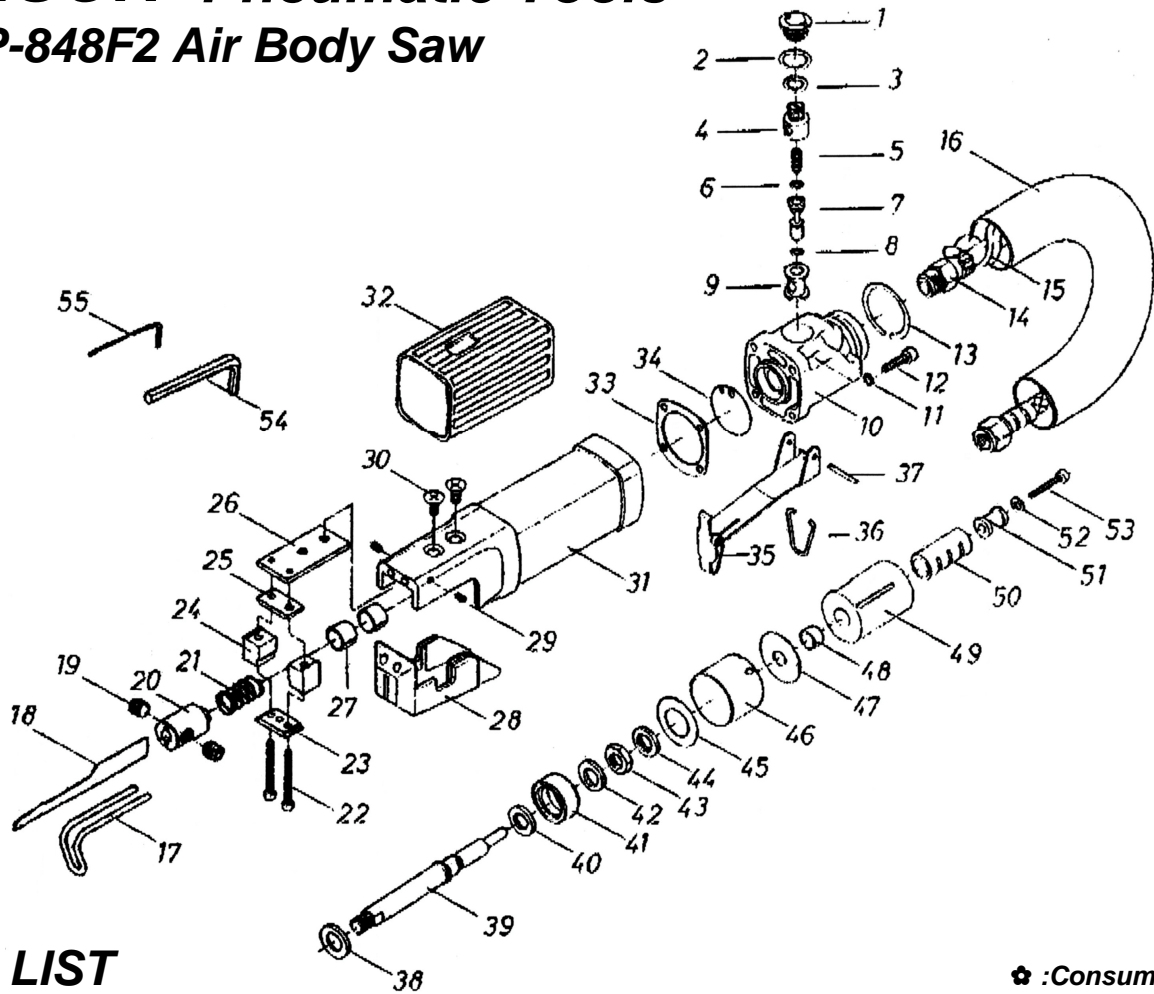




# GISON Pneumatic Tools

## GP-848F2 Air Body Saw



### PARTS LIST

★ : Consuming Part

Item No.	Part No.	Description	Qty.	Item No.	Part No.	Description	Qty.
1	848F201	Valve Screw	1	28	848F228	Chuck Cover	1
2	848F202	O-Ring	1	29	848F229	Set Screw	2
3	848F203	O-Ring	1	30	848F230	Screw	2
4	848F204	Air Controller	1	31	848F231	Housing	1
5	848F205	Valve Spring	1	32	848F232	Housing Cover	1
6	848F206	O-Ring	1	33	848F233	Gasket	1
7	848F207	Valve Stem	1	34	848F234	Packing	1
8	848F208	O-Ring	1	35	848F235	Safety Lever	1
9	848F209	Valve Bushing	1	36	848F236	Hanger	1
10	848F210	Valve Block	1	37	848F237	Spring Pin	1
11	848F211	Lock Washer	4	38	848F238	Front Bumper	1
12	848F212	Rear Cap Bolt	4	39	848F239	Piston Shaft	1
13	848F213	Stop Ring	1	40	848F240	Washer	1
14	848F214	Air Hose Ass'Y	1	41	848F241	Piston	1
15	848F215	Sponge	1	42	848F242	Washer	1
16	848F216	Exhaust Hose	1	43	848F243	Hex. Nut	1
17	848F217	Work Guide	1	44	848F244	Rear Bumper	1
18	848F218-1	Blade - 18T	2	45	848F245	Packing	1
	848F218-2	Blade - 24T		46	848F246	Cylinder	1
	848F218-3	Blade - 32T		47	848F247	Packing	1
19	848F219	Set Screw	2	48	848F248	Bushing	1
20	848F220	Blade Chuck	1	49	848F249	Valve Case	1
21	848F221	Spring	1	50	848F250	Valve Sleeve	1
22	848F222	Cap Screw	2	51	848F251	Actuate Valve	1
23	848F223	Bridge	1	52	848F252	Washer	1
24	848F224	Blade Guide	2	53	848F253	Screw	1
25	848F225	Upper Wear Shoe	1	54	848F254	4mm Service Wrench	1
26	848F226	Guide Plate	1	55	848F255	2mm Service Wrench	1
27	848F227	Bushing	2				