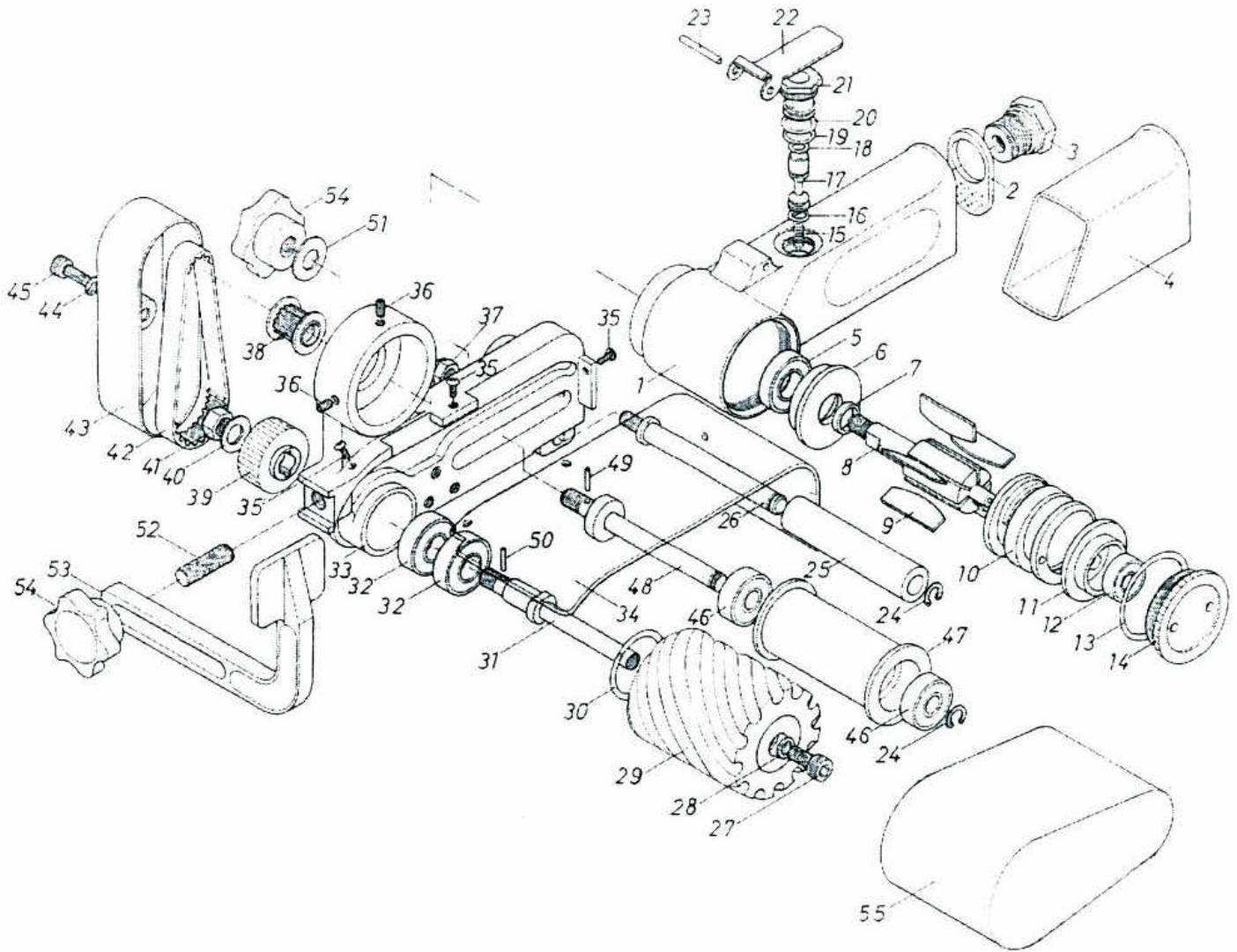




GISON Pneumatic Tools

GP-902C Air Belt Sander



PARTS LIST

⚙ : Consuming Part

Item No.	Part No.	Description	Qty.	Item No.	Part No.	Description	Qty.	Item No.	Part No.	Description	Qty.
1	902C01	Motor Housing	1	20	902C20	O-Ring	1	39	902C39	Pulley (B)	1
2	902C02	Deflector	1	21	902C21	Valve Bush	1	40	902C40	Washer	1
3	902C03	Inlet Bushing	1	22	902C22	Throttle Lever	1	41	902C41	Nut	1
4	902C04	Housing Cover	1	23	902C23	Lever Pin	1	42	902C42	Belt	1
5	902C05	Ball Bearing	1	24	902C24	Snap Ring	2	43	902C43	Belt Cover	1
6	902C06	Front Plate	1	25	902C25	Level Roller	1	44	902C44	Washer	1
7	902C07	Spacer	1	26	902C26	Level Shaft	1	45	902C45	Set Screw	1
8	902C08	Rotor	1	27	902C27	Screw	1	46	902C46	Ball Bearing	2
9	902C09	Rotor Blade	5	28	902C28	Washer	1	47	902C47	Idle Roller	1
10	902C10	Cylinder	1	29	902C29	50ø Drive Roller	1	48	902C48	Idle Shaft	1
11	902C11	Rear Plate	1	30	902C30	Retainer	1	49	902C49	Roll Pin	1
12	902C12	Ball Bearing	1	31	902C31	Drive Shaft	1	50	902C50	Roll Pin	1
13	902C13	O-Ring	1	32	902C32	Ball Bearing	2	51	902C51	Washer	1
14	902C14	Motor Nut	1	33	902C33	Frame	1	52	902C52	Screw	1
15	902C15	Valve Spring	1	34	902C34	Wheel Cover	1	53	902C53	Polishing Guide	1
16	902C16	O-Ring	1	35	902C35	Screw	3	54	902C54	Knob	2
17	902C17	Valve Stem	1	36	902C36	Set Screw	2	55	902C55	Sander	1
18	902C18	O-Ring	1	37	902C37	Nut	1				
19	902C19	O-Ring	1	38	902C38	Pulley (A)	1				