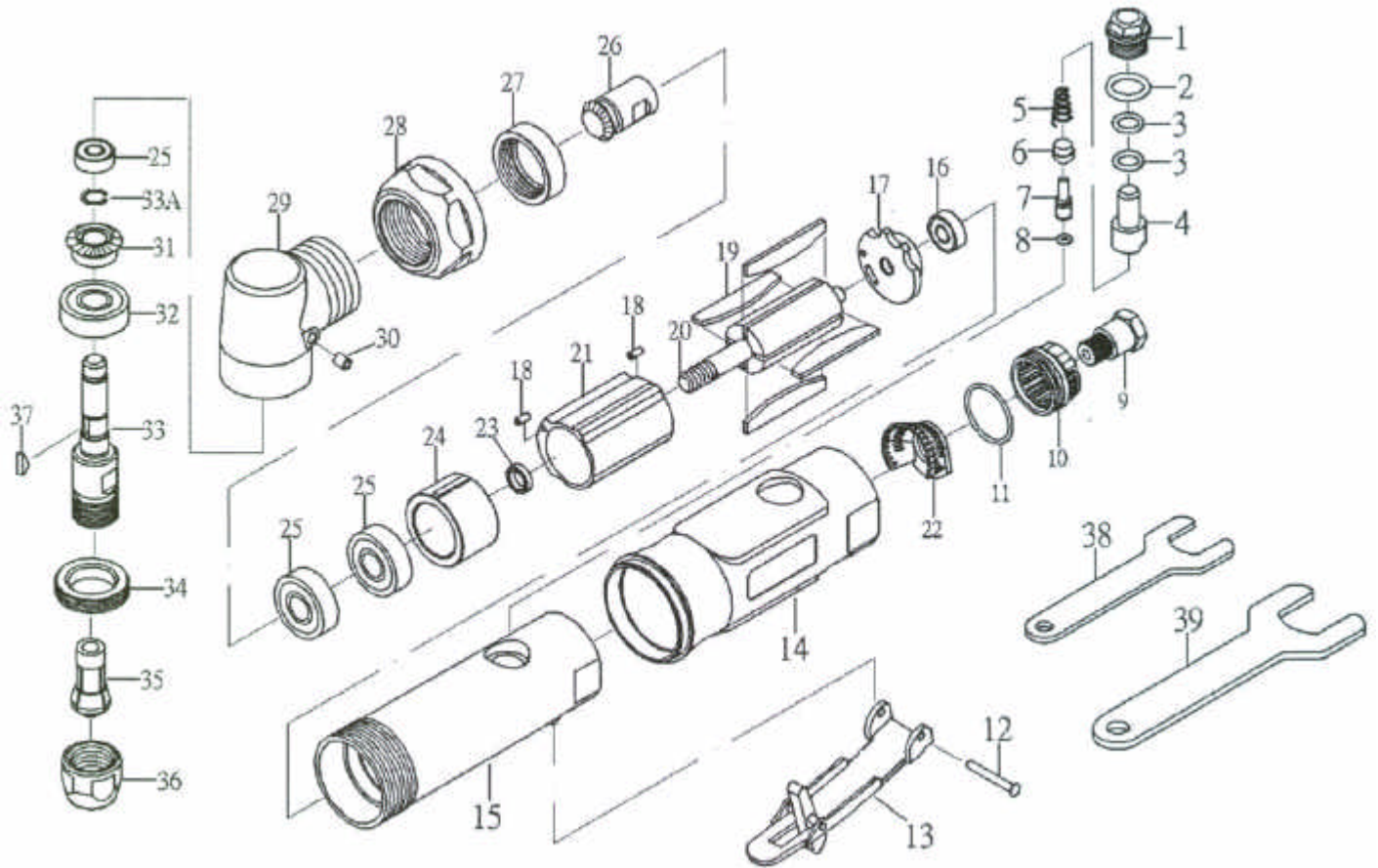




GISON Pneumatic Tools

GP-824STA Air Angle Die Grinder



PARTS LIST

★ :Consuming Part

Item No.	Part No.	Description	Qty.	Item No.	Part No.	Description	Qty.
01	824STA01	Screw	1	21	824STA21	Cylinder	1
02	824STA02	O-Ring (P12)	1	22	824STA22	Cone Muffler	1
03	824STA03	O-Ring (P8)	2	23	824STA23	Bearing Spacer	1
04	824STA04	Air Regulator	1	24	824STA24	Front Plate	1
05	824STA05	Spring	1	25	824STA25	Bearing (608ZZ)	3
06	824STA06	Valve Stem Bushing	1	26	824STA26	Bevel Gear (18T)	1
07	824STA07	Valve Stem	1	27	824STA27	Nut	1
08	824STA08	O-Ring (3.5 * 1.4)	1	28	824STA28	Clamp Nut	1
09	824STA09	Air Inlet	1	29	824STA29	Angle Housing	1
10	824STA10	Exhaust Sleeve	1	30	824STA30	Oil Cup	1
11	824STA11	O-Ring (26.7 * 1.78)	1	31	824STA31	Bevel Gear (20T)	1
12	824STA12	Spring Pin	1	32	824STA32	Bearing (6000ZZ)	1
13	824STA13	Lever	1	33	824STA33	Shaft	1
14	824STA14	Protecting Rubber	1	33A	824STA33A	Snap Ring	1
15	824STA15	Housing	1	34	824STA34	Clamp Nut	1
16	824STA16	Bearing (696ZZ)	1	35	827STA35	Collet	1
17	824STA17	Rear Plate	1	36	824STA36	Collet Nut	1
18	824STA18	Pin	2	37	824STA37	Key	1
19	824STA19	Rotor Blade	4	38	824STA38	Stop Spanner 14M/M	1
20	824STA20	Rotor	1	39	824STA39	Stop Spanner 19M/M	1