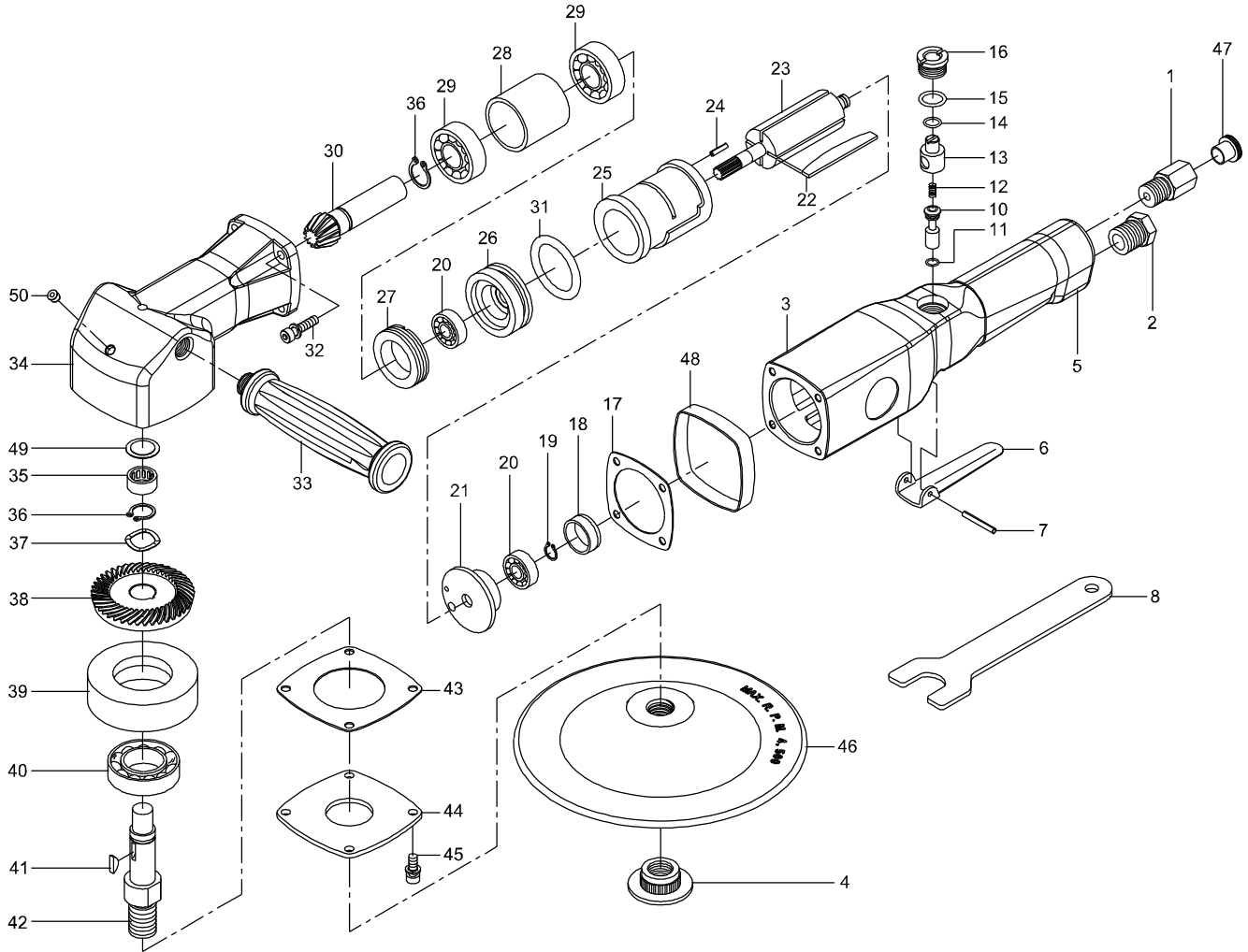




# GISON Pneumatic Tools

## GP-929/930 7" Angle Sander / Polisher



### PARTS LIST

✳ :Consuming Part

Item No.	Part No.	Description	Qty.	Item No.	Part No.	Description	Qty.
1	929001	Air Inlet	1	29	B620ZZ	Ball Bearing	2
2	929002	Exhaust Bushing	1	✳ 30	929030	Pinion Gear (sander)	1
3	929003	Motor Housing	1		930030	Pinion Gear (polisher)	
4	929047	Retaining Nut	1	31	OR041	O-Ring	1
5	929005	Handle Cover	1	32	CAP016	Allen Cap Screw	4
6	829005	Lever	1	33	829027	Dead Handle	1
7	SP026	Throttle Lever Pin	1	34	929034A	Housing-Angle	1
8	829048	Stop Spanner	1	35	B1210	Needle Bearing	1
10	829008	Valve Stem	1	✳ 36	C15	Retainer Ring	2
✳ 11	OR034	O-Ring	1	37	WW15	Wave Washer	1
	S023	Spring	1	✳ 38	929038	Bevel Gear(sander)	1
13	829011	Air Regulator	1		930038	Bevel Gear(polisher)	
14	OR030	O-Ring	1	39	929039	Bearing Bushing	1
15	OR021	O-Ring	1	40	B6302ZZ	Ball Bearing	1
16	829014	Valve Screw	1	41	KR002	Woodruff Key	1
✳ 17	929017	Gasket	1	42	929042	Gear Shaft (5/8-11)	1
18	829015	Bearing Cap	1			929042a	
✳ 19	C8	Retainer Ring	1	✳ 43	929043	Gasket	1
20	B608ZZ	Ball Bearing	2	44	929044	Angle Housing Cover	1
21	829018	Rear End Plate	1	45	CAP005	Cap Screw	4
✳ 22	829019	Rotor Blade	4	46	829043	7" Sanding Pad (5/8-11)	1
23	930020	Rotor	1			829043a	
24	SP025	Dowel Pin	1	47	829046	Plastic Cover	1
25	829022	Cylinder	1	48	829049	Rubber	1
26	929026	Front End Plate	1	49	929008	Bearing Plate	1
27	929027	Clamp Nut	1	50	221A10800	Grease Hole	1
28	929028	Spacer	1				