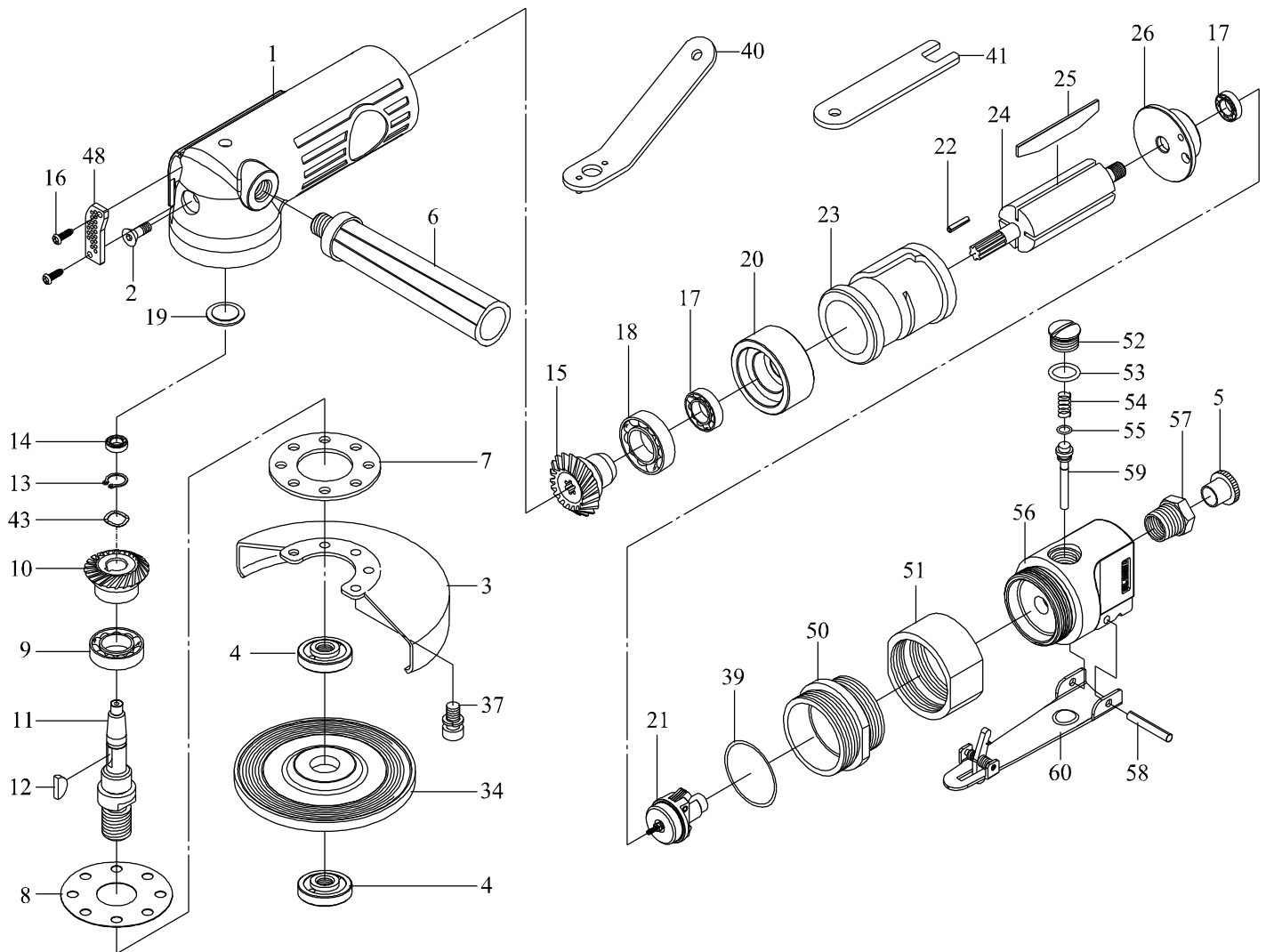




# GISON Pneumatic Tools

## GP-832L 4" Air Angle Grinder (Safety Lever)



### PARTS LIST

✳ : Consuming Part

Item No.	Part No.	Description	Qty.	Item No.	Part No.	Description	Qty.
1	832001	Body	1	23	829022	Cylinder	1
2	MT001	Screw	1	24	832024	Rotor	1
3	832003	Disc Cover	1	✳ 25	829019	Rotor Blade	4
✳ 4	832N04	Disc Nut	2	26	829018	Rear Plate	1
5	829046	Plastic Cover	1	34	832034	Disc Wheel	1
6	832006	Grip	1	37	CAP005	Cap Screw	4
7	832007	Retainer	1	39	OR032	O-Ring	1
8	832008	Gasket	1	40	832040	Disc Spanner	1
9	B6202ZZ	Ball bearing	1	41	832041	Stop Spanner	1
✳ 10	832010	Bevel Gear	1	43	WW10	Wave Washer	1
11	832011	Gear Shaft	1	48	832048	Exhaust Cover	1
12	KR002	Key	1	50	832050	Lock Ring	1
13	C10	Retaining Ring	1	51	832051	Coupling Nut	1
14	B626ZZ	Ball Bearing	1	52	832052	Valve Screw	1
✳ 15	832015	Pinion Gear	1	53	OR033	O-Ring	1
16	TP3X10	Screw	2	54	S028	Valve Spring	1
✳ 17	B608ZZ	Ball Bearing	2	55	OR034	O-Ring	1
18	B6201	Ball Bearing	1	56	832056	Valve Housing	1
19	832019	Spacer	1	57	832057	Hose Adapter	1
20	829023	Front Plate	1	58	SP018	Spring Pin	1
21	832h01	Governor Assembly	1	59	832059	Valve Pin	1
22	SP025	Spring Pin	1	60	832j01	Complete Lever Assembly	1