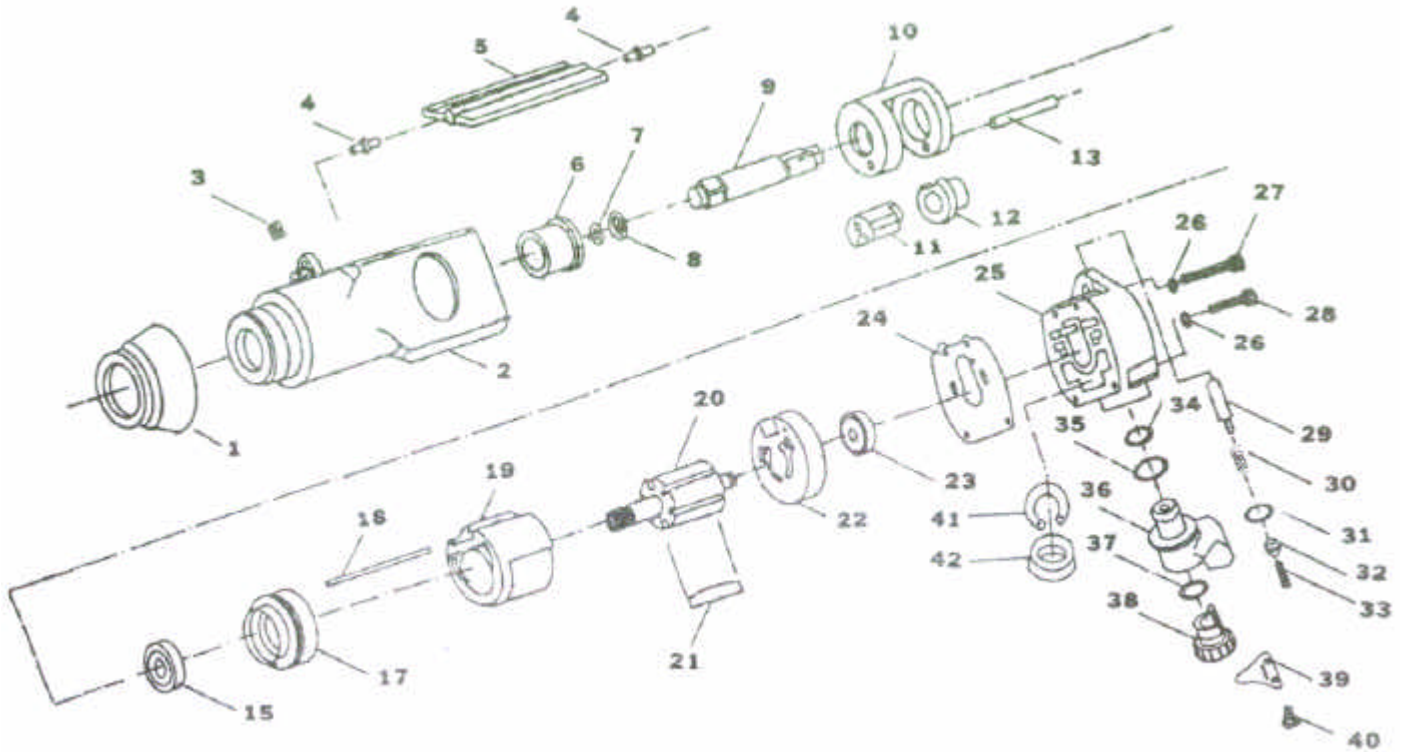




GISON Pneumatic Tools

GW-8 3/8" Butterfly Air Impact Wrench



PARTS LIST

✦ :Consuming Part

Item No.	Part No.	Description	Qty.	Item No.	Part No.	Description	Qty.
1	800001	Rubber Nose Guard	1	23	800023	Ball Bearing	1
2	800002	Motor Housing	1	24	800024	Back Cap Gasket	1
3	800003	Oiler Screw	1	25	800025	Back Cap	1
4	800004	Throttle Pin	2	26	800026	Lock Washer	4
5	800005	Trottle Lever	1	27	800027	Cap Screw-Leng	2
6	800006	Anvil Bushing	1	28	800028	Cap Screw-Short	2
7	800007	O-Ring	1	29	800029	Plunger	2
8	800008	Socket Ret Ring	1	30	800030	Spring	2
9	800009	Anvil	1	31	800031	O-Ring	2
10	800010	Hammer Cage	1	32	800032	Valve Seat	2
11	800011	Hammer	1	33	800033	Valve Spring	2
12	800012	Cam	1	34	800034	O-Ring	1
13	800013	Hammer Pin	1	35	800035	O-Ring	1
15	800015	Ball Bearing	1	36	800036	Air Inlet Block	1
17	800017	Front End Plate	1	37	800037	O-Ring	1
18	800018	Motor Pin	1	38	800038	Regulator	1
19	800019	Cylinder	1	39	800039	Retainer Plate	1
20	800020	Rotor	1	40	800040	Screw	2
21	800021	Rotor Blade	6	41	800041	Retaining Ring	1
22	800022	Rear End Plate	1	42	800042	Fixing Ring	1