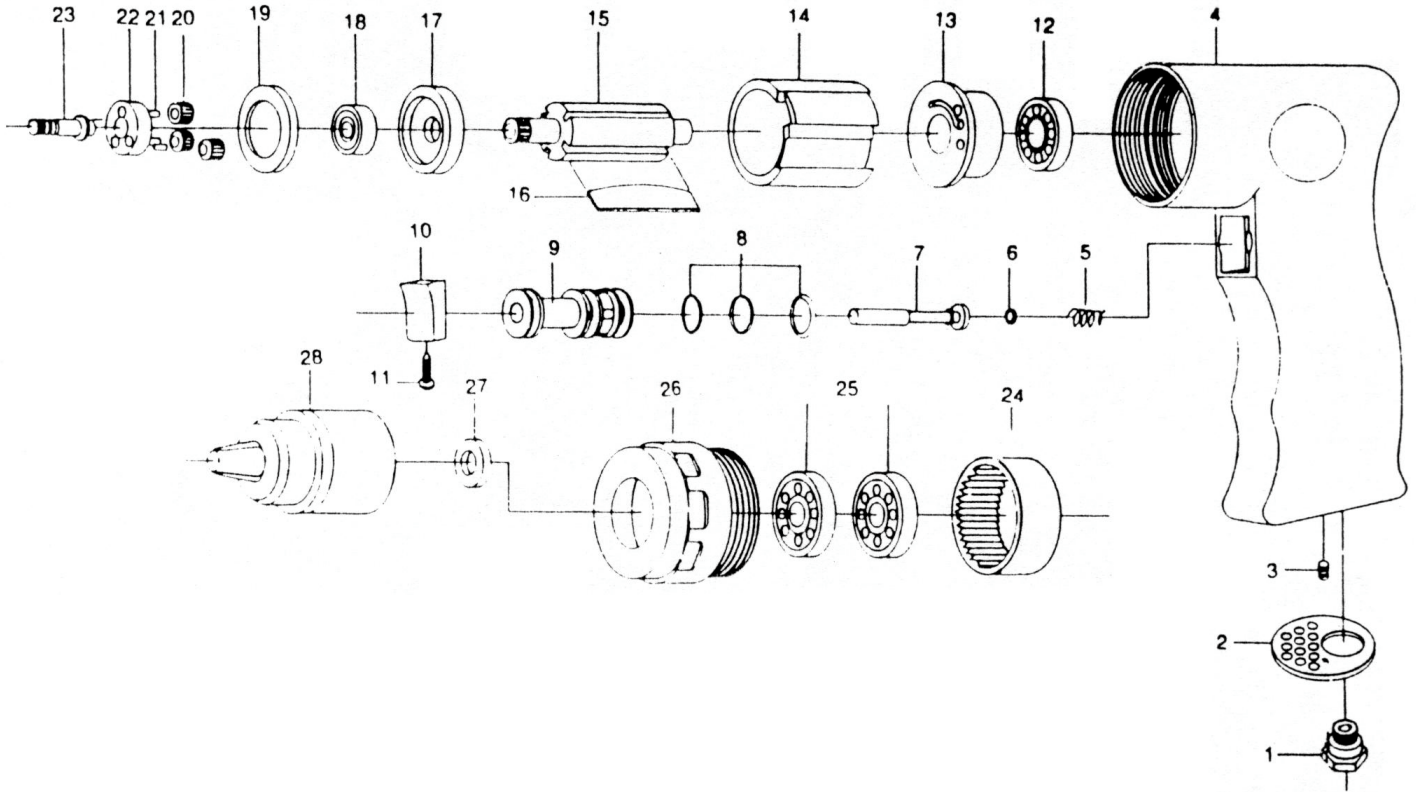




GISON Pneumatic Tools

GP-835C 3/8" Air Drill



PARTS LIST

✱ : Consuming Part

Item No.	Part No.	Description	Qty.	Item No.	Part No.	Description	Qty.
1	835C01	Hose Adapter	1	15	835C15	Rotor	1
2	835C02	Exhaust Sleeve	1	✱ 16	835C16	Rotor Blade	4
3	835C03	Valve Body Set Screw	1	17	835C17	Front End Plate	1
4	835C04	Motor Housing	1	18	835C18	Ball Bearing	1
✱ 5	835C05	Spring	1	19	835C19	Retainer	1
✱ 6	835C06	O-Ring	1	✱ 20	835C20	Gear	3
7	835C07	Valve Stem	1	21	835C21	Gear Pin	3
8	835C08	O-Ring	3	22	835C22	Gear Plate	1
9	835C09	Valve Body	1	✱ 23	835C23	Shaft	1
10	835C10	Trigger	1	24	835C24	Ring Gear	1
11	835C11	Screw	1	25	835C25	Ball Bearing	2
12	835C12	Ball Bearing	1	26	835C26	Clamp Nut	1
13	835C13	Rear End Plate	1	27	835C27	Spacer	1
14	835C14	Cylinder	1	28	CHK-38J	3/8" Chuck & Key	1