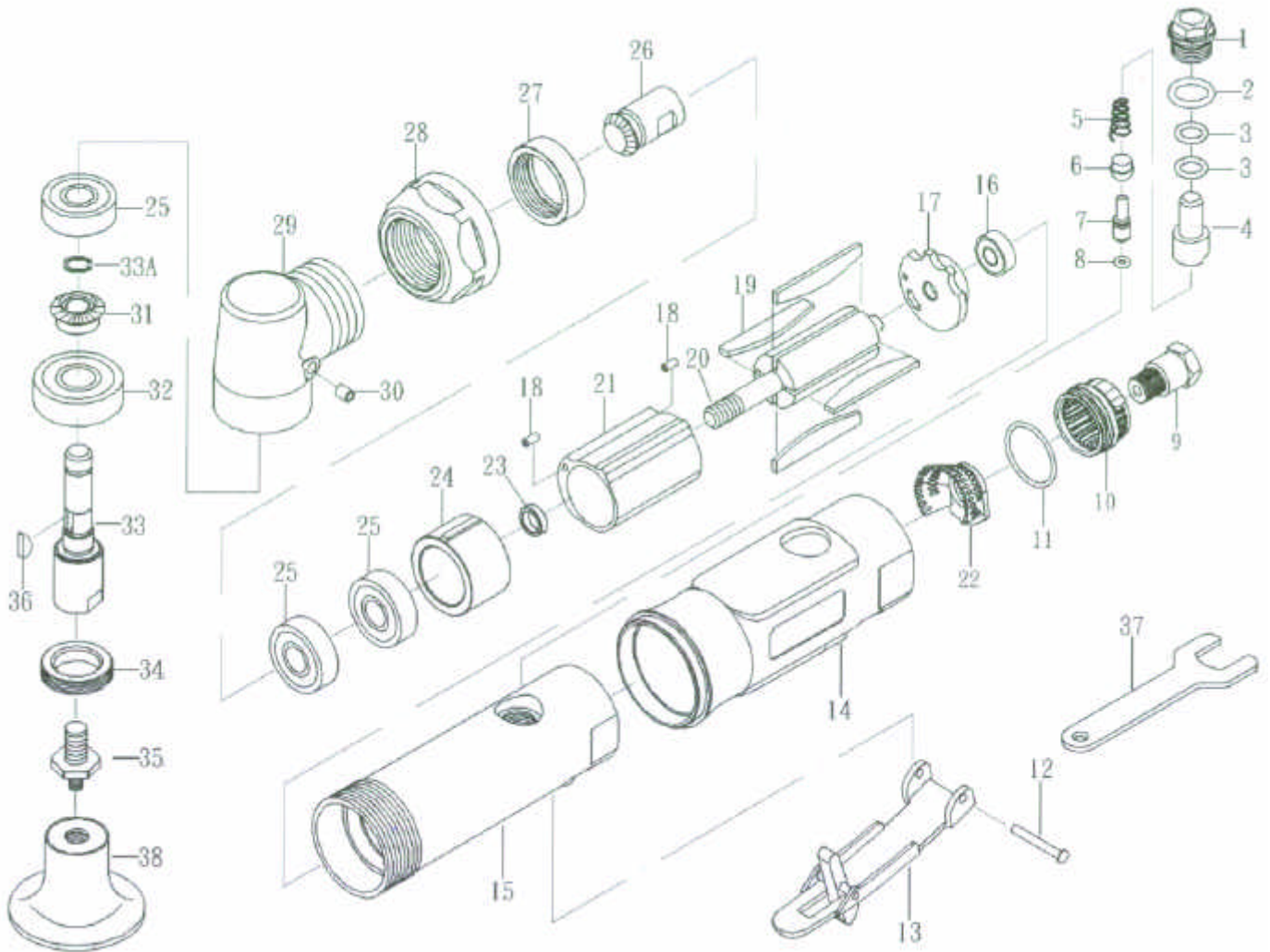




GISON Pneumatic Tools

GP-824STA3 2" Angle Sander



PARTS LIST

★ :Consuming Part

Item No.	Part No.	Description	Qty.	Item No.	Part No.	Description	Qty.
1	824STA301	Screw	1	21	824STA321	Cylinder	1
2	824STA302	O-Ring (P12)	1	22	824STA322	Cone Muffler	1
3	824STA303	O-Ring (P8)	2	23	824STA323	Bearing Spacer	1
4	824STA304	Air Regulator	1	24	824STA324	Front Plate	1
5	824STA305	Spring	1	25	824STA325	Bearing (608ZZ)	3
6	824STA306	Valve Stem Bushing	1	26	824STA326	Bevel Gear (15T)	1
7	824STA307	Valve Stem	1	27	824STA327	Nut	1
8	824STA308	O-Ring (3.5*1.4)	1	28	824STA328	Clamp Nut	1
9	824STA309	Air Inlet	1	29	824STA329	Angle Housing	1
10	824STA310	Exhaust Sleeve	1	30	824STA330	Oil Cup (3/16")	1
11	824STA311	O-Ring (26.7*1.78)	1	31	824STA331	Bevel Gear (20T)	1
12	824STA312	Pin	1	32	824STA332	Bearing (6000ZZ)	1
13	824STA313	Lever	1	33	824STA333	Shaft	1
14	824STA314	Protecting Rubber	1	33A	824STA333A	Snap Ring	1
15	824STA315	Housing	1	34	824STA334	Clamp Nut	1
16	824STA316	Bearing (696ZZ)	1	35	824STA335	Adaptor	1
17	824STA317	Rear Plate	1	36	824STA336	Key	1
18	824STA318	Pin (2.5*6)	2	37	824STA337	Stop Spanner (14M/M)	1
19	824STA319	Rotor Blade	4	38	824STA338	Pad	1
20	824STA320	Rotor	1				