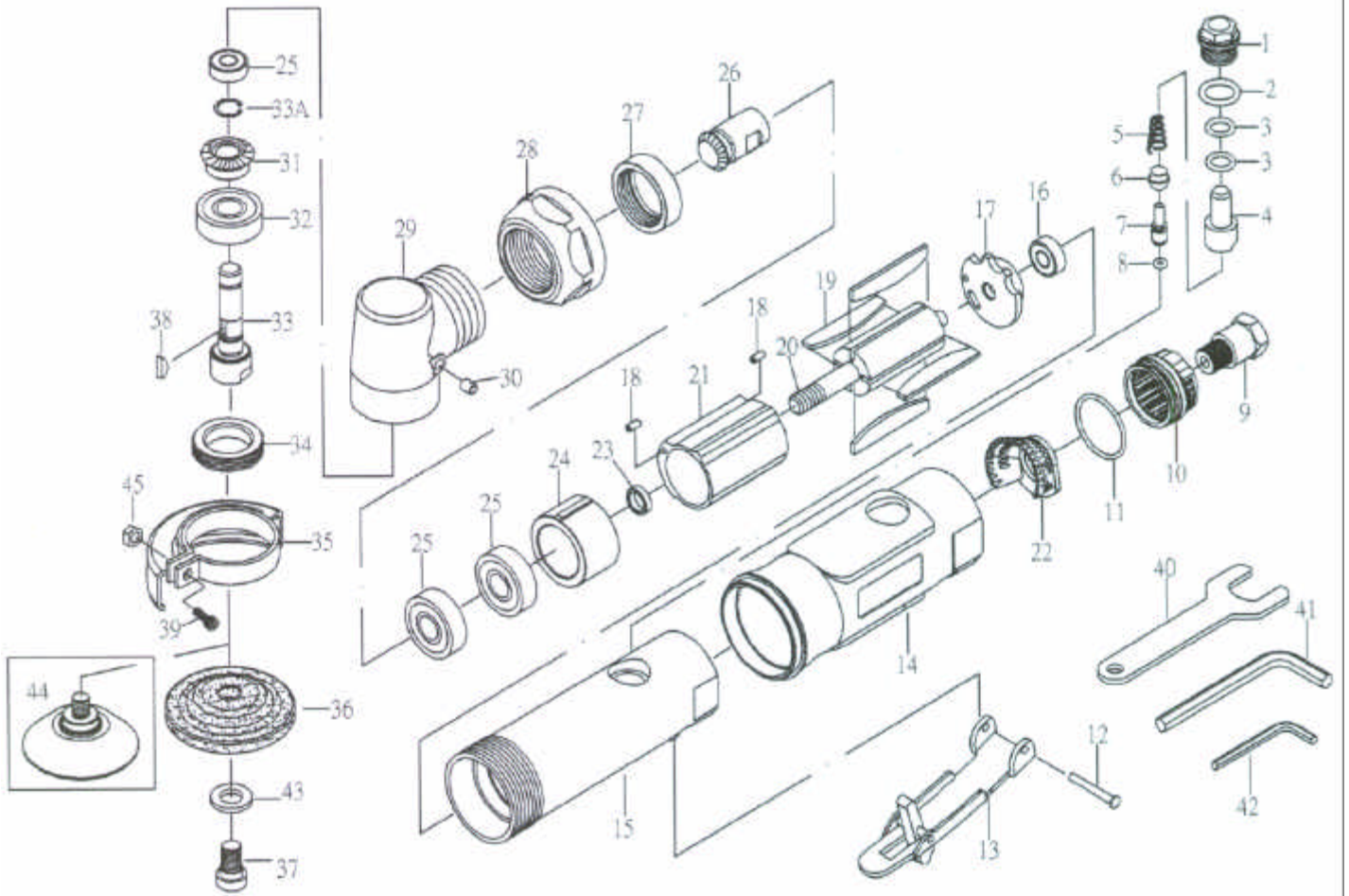




# GISON Pneumatic Tools

## GP-824GS 2" Air Angle Grinder & Sander



### PARTS LIST

✳ : Consuming Part

Item No.	Part No.	Description	Qty.	Item No.	Part No.	Description	Qty.
1	824GS01	Screw	1	24	824GS24	Front Plate	1
2	824GS02	O-Ring (P12)	1	25	824GS25	Bearing (608ZZ)	3
3	824GS03	O-Ring (P8)	2	26	824GS26	Bevel Gear	1
4	824GS04	Air Regulator	1	27	824GS27	Nut	1
5	824GS05	Spring	1	28	824GS28	Clamp Nut	1
6	824GS06	Valve Stem Bushing	1	29	824GS29	Angle Housing	1
7	824GS07	Valve Stem	1	30	824GS30	Oil Cup	1
8	824GS08	O-Ring (3.5*1.4)	1	31	824GS31	Bevel Gear	1
9	824GS09	Air Inlet	1	32	824GS32	Bearing (6000ZZ)	1
10	824GS10	Exhaust Sleeve	1	33	824GS33	Shaft	1
11	824GS11	O-Ring (26.7*1.78)	1	33A	824GS33A	Snap Ring	1
12	824GS12	Spring Pin	1	34	824GS34	Clamp Nut	1
13	824GS13	Lever	1	35	824GS35	Disc Cover	1
14	824GS14	Protecting Rubber	1	36	824GS36	Disc Wheel	1
15	824GS15	Housing	1	37	824GS37	Disc Screw	1
16	824GS16	Bearing (696ZZ)	1	38	824GS38	Key	1
17	824GS17	Rear Plate	1	39	824GS39	Screw (M4*16)	1
18	824GS18	Pin	2	40	824GS40	Stop Spanner 14M/M	1
19	824GS19	Rotor Blade	4	41	824GS41	Hex 5M/M	1
20	824GS20	Rotor	1	42	824GS42	Hex 3M/M	1
21	824GS21	Cylinder	1	43	824GS43	Washer	1
22	824GS22	Cone Muffler	1	44	824GS44	Pad	1
23	824GS23	Bearing Spacer	1	45	824GS45	Nut (M4)	1