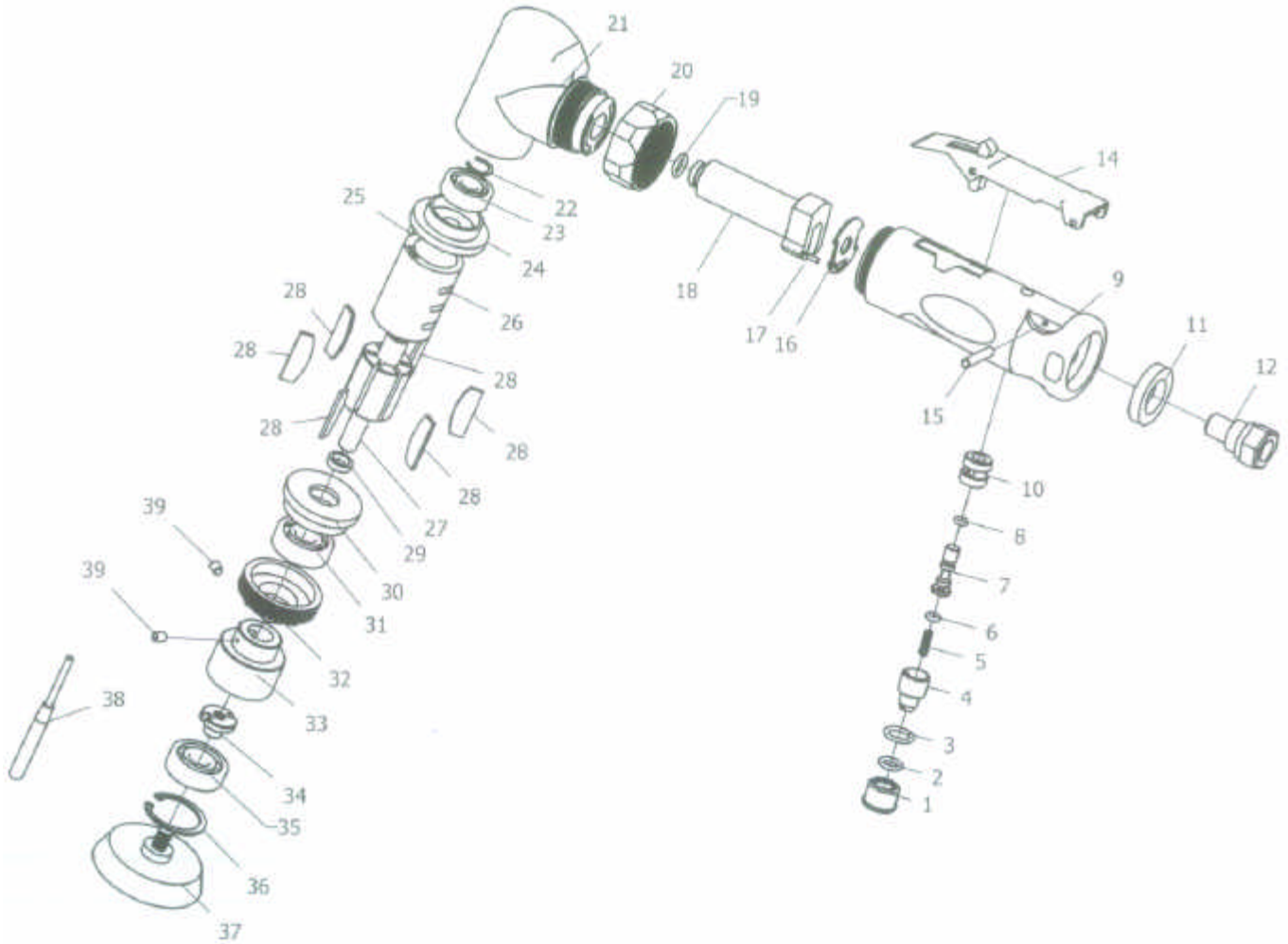




GISON Pneumatic Tools

GP-824LSR 100 degree 2" Air Angle Sander



PARTS LIST

✳ : Consuming Part

Item No.	Part No.	Description	Qty.	Item No.	Part No.	Description	Qty.
1	824LSR01	Plug Screw	1	21	824LSR21	Angle Head	1
2	824LSR02	O-Ring	1	22	824LSR22	Stop Ring	1
3	824LSR03	O-Ring	1	23	824LSR23	Bearing	1
4	824LSR04	Air Regulator	1	24	824LSR24	Bearing Plate	1
5	824LSR05	Valve Spring	1	25	824LSR25	Locating Pin	1
6	824LSR06	O-Ring	1	26	824LSR26	Cylinder	1
7	824LSR07	Valve Stem	1	27	824LSR27	Rotor	1
8	824LSR08	O-Ring	1	28	824LSR28	Rotor Blade	6
9	824LSR09	Motor Hosing	1	29	824LSR29	Rotor Collar	1
10	824LSR10	Valve Bushing	1	30	824LSR30	Bearing Plate	1
11	824LSR11	Muffer	1	31	824LSR31	Bearing	1
12	824LSR12	Air Inlet	1	32	824LSR32	Housing Cap	1
14	824LSR14	Lever	1	33	824LSR33	Random Balance Body	1
15	824LSR15	Lever Pin	1	34	824LSR34	Nut	1
16	824LSR16	Pad	1	35	824LSR35	Bearing	1
17	824LSR17	Pin	1	36	824LSR36	Stop Ring	1
18	824LSR18	Bearing Plate	1	37	824LSR37	Pu Pad	1
19	824LSR19	O-Ring	1	38	824LSR38	Key	1
20	824LSR20	Connect Nut	1	39	824LSR39	Set Screw	2