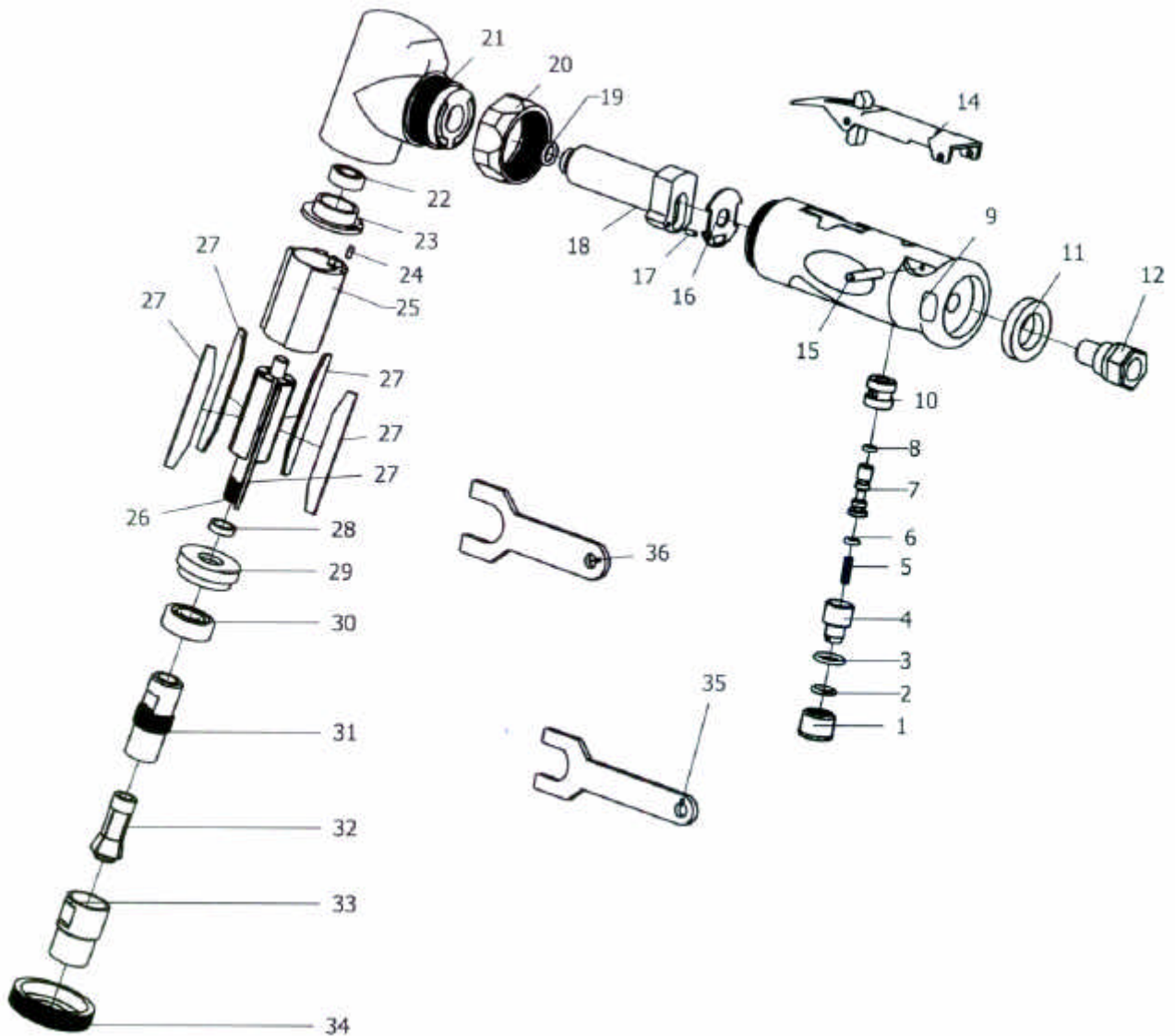




GISON Pneumatic Tools

GP-824MR 100 degree Air Angle Die Grinder



PARTS LIST

✳ : Consuming Part

Item No.	Part No.	Description	Qty.	Item No.	Part No.	Description	Qty.
1	824MR01	Plug Screw	1	20	824MR20	Connect Nut	1
2	824MR02	O-Ring	1	21	824MR21	Angle Head	1
3	824MR03	O-Ring	1	22	824MR22	Bearing	1
4	824MR04	Air Regulator	1	23	824MR23	Bearing Plate	1
5	824MR05	Valve Spring	1	24	824MR24	Locating Pin	1
6	824MR06	O-Ring	1	25	824MR25	Cylinder	1
7	824MR07	Valve Stem	1	26	824MR26	Rotor	1
8	824MR08	O-Ring	1	27	824MR27	Rotor Blade	5
9	824MR09	Motor Housing	1	28	824MR28	Rotor Clooar	1
10	824MR10	Valve Bushing	1	29	824MR29	Bearing Plate	1
11	824MR11	Muffer	1	30	824MR30	Bearing	1
12	824MR12	Air Inlet	1	31	824MR31	Spindle	1
14	824MR14	Lever	1	32	824MR32	Collet	1
15	824MR15	Lever Pin	1	33	824MR33	Collet Nut	1
16	824MR16	Pad	1	34	824MR34	Housing Cap	1
17	824MR17	Pin	1	35	824MR35	Wrench	1
18	824MR18	Bearing Plate	1	36	824MR36	Wrench	1
19	824MR19	O-Ring	1				