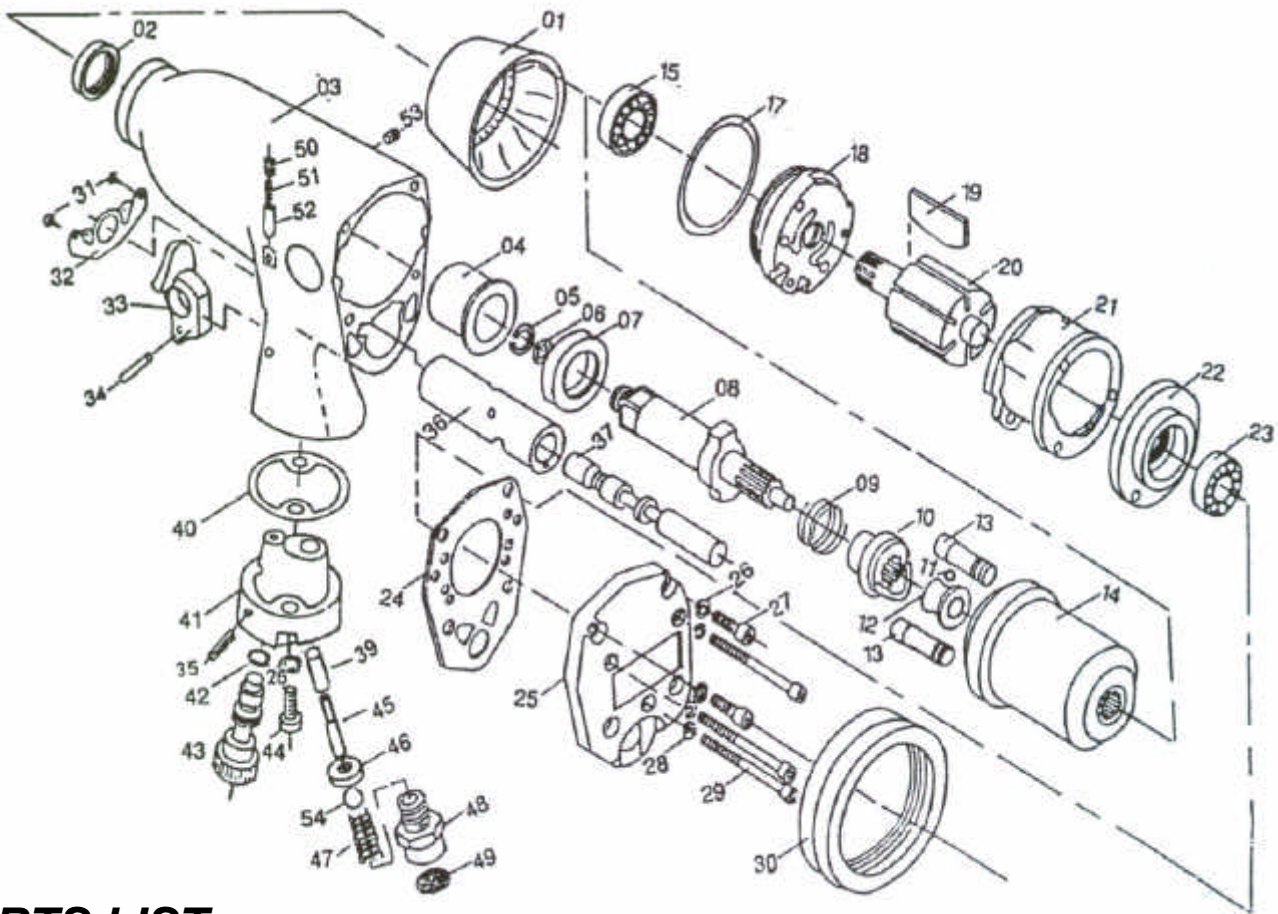




GISON Pneumatic Tools

GW-16H1 1/2" Air Impact Wrench



PARTS LIST

✳ : Consuming Part

Item No.	Part No.	Description	Qty.	Item No.	Part No.	Description	Qty.
1	16H101	Protecting Rubber	1	28	16H128	Washer	3
2	16H102	Oil Seal	1	29	16H129	Screw	3
3	16H103	Housing	1	30	16H130	Protecting Rubber	1
4	16H104	Anvil Bushing	1	31	16H131	Screw	2
5	16H105	Anvil Collar	1	32	16H132	Exhaust Deflector	1
6	16H106	O-Ring	1	33	16H133	Trigger	1
7	16H107	Spacer	1	34	16H134	Pin-Throttle	1
8	16H108	Anvil	1	35	16H135	Pin	2
9	16H109	Spring	1	36	16H136	Valve Sleeve	1
10	16H110	Drive Cam	1	37	16H137	Reverse Valve	1
11	16H111	Steel Ball	1	39	16H139	Valve Stem	1
12	16H112	Drive Cam Foundation	1	40	16H140	Rear Gasket	1
13	16H113	Hammer Bar	2	41	16H141	Intake Foundation	1
14	16H114	Hammer Cage	1	42	16H142	O-Ring	1
15	16H115	Ball Bearing	1	43	16H143	Air Regulator	1
17	16H117	O-Ring	1	44	16H144	Screw	2
18	16H118	Front End Plate	1	45	16H145	Pin-Throttle	1
19	16H119	Rotor Blade	6	46	16H146	Valve-Throttle	1
20	16H120	Rotor	1	47	16H147	Spring	1
21	16H121	Cylinder	1	48	16H148	Hose Adapter	1
22	16H122	Rear End Plate	1	49	16H149	Screen	1
23	16H123	Ball Bearing	1	50	16H150	Screw	1
24	16H124	Rear Gasket	1	51	16H151	Spring	1
25	16H125	Rear Cover	1	52	16H152	Pin	1
26	16H126	Washer	4	53	16H153	Screw	1
27	16H127	Screw	4	54	16H154	Steel Ball	1